

Worm Gearbox Industrial Type 050 B14 71 Replaces NMRV



Worm Gearbox All Ratio Reduction

Worm Gearbox Industrial Type 050 B5 71 Replaces NMRV

Options:

Reduction: 1:10,1:20, 1:30, 1:40, 1:60, 1:80, 1:100

Speed: 50

Input Flange: D71 B14

Input shaft size: 14mm

Output shaft size: 25mm

Compatible With:

Novario NMRV Series

Level FRT Series

Infiglioli MVF Series

MI Series

MA RMI Series

Mini MRV Series

Standard Universal Mounting Design

Rigid and precise monolithic casing in cast aluminium

Cylindrical worm shaft with ground and super-finished involute profile

Electrolytic Painted - Silver Colour

Forced ventilation

High quality bearings

Low noise and vibration

Applications:

Lifts / Winches

Conveyor Drives

Crane Drives

Automation Devices

Food / Pharmacy Packaging

Roller drives

Conveyors

Food Processing

Accessories (Available on request):

Motor

Flange/Foot Mounting

Couplings

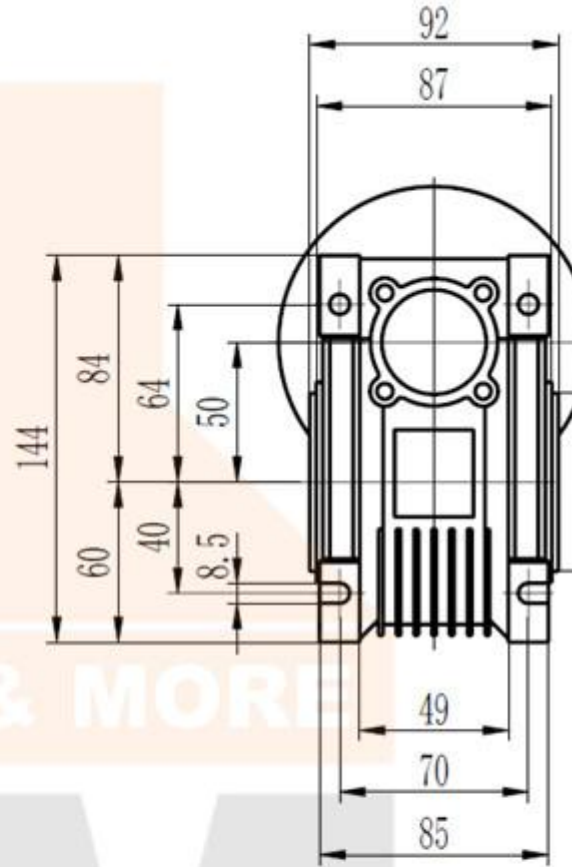
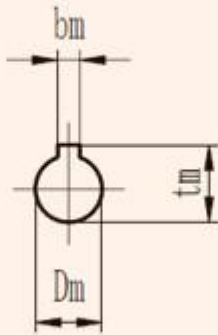
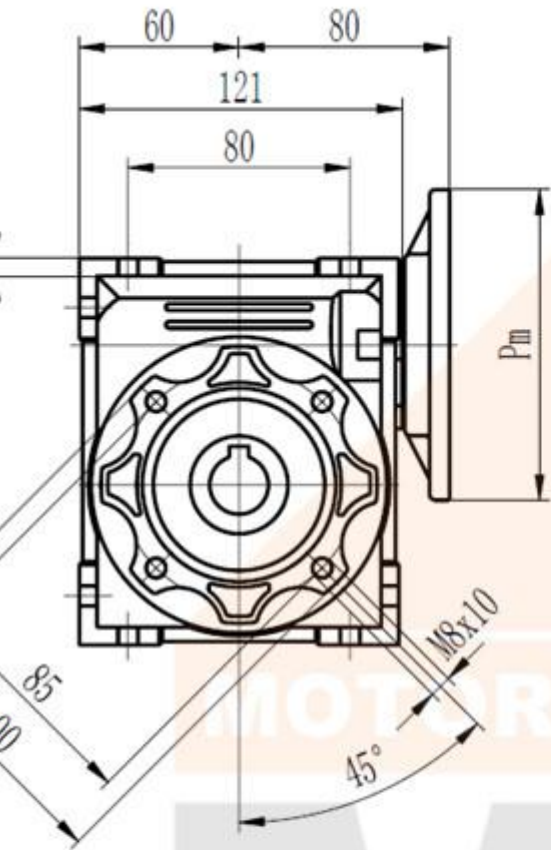
Keys

Chain Drives

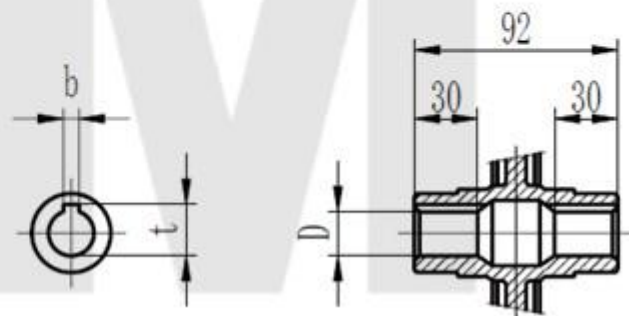
ns:

⚠ This image or video has been moved or deleted

use™



Output		
D H8	b	t
25	8	28.3



ave both Single and Three Phase electric motors between 0.18Kw to 315Kw in 2, 4, 6 and 8 pole.
We do not deliver to PO Boxes. Please make sure you have a residential address in your details for us to send your order to.

Free shipping for metro areas only, excluding WA, TAS & NT

Local Pick up from our Sydney, Prestons Warehouse available.

ying from a professional Business with many years experience in this market. DO NOT compare this product with other che
ven same prices. This is a very high quality motor. Limited Time Offer. QUALITY at the right PRICE. This crazy price will not la

Payments Methods Accepted



Listing Details

ing a purchase from any of our eBay listings you are entering into a contract governed by our terms & conditions below. Ple
have read these before making your

own are for demonstration purposes only. Product will match description but may vary from images shown. For any concerns al
oks please contact us before ordering.

description/price/stock levels is accurate to our knowledge. All errors or omissions are unintentional. If problems are encounte

Payment

ent is required within 5 days of sale. Payment can be made by Cash on pick-up (from our Warehouse), Paypal, credit card
or bank deposit. Items will not be shipped out unless payment has been made

Shipping/Delivery/Pick up

er to our shipping tab at the top of our listing for all freight costs and delivery times. Your order will be sent through one of o
which include Toll, TNT, Couriers Please, E-Go, Go Logistics and Australia Post. The service used to deliver your ord
lly selected by our freighting system. We assume no liability for postal delays or lost/damaged parcels, but we will assist th

to obtain a replacement.

Provide a valid street address for all deliveries. We do NOT deliver to PO Boxes, Parcel Lockers or Post Office addresses. We also require a phone number for all orders. Our operation hours for dispatch are Monday to Friday 9am to 2:30pm. In the unlikely case that there is a problem with your order, please contact us to resolve this.

Local Pickup from our Sydney, Prestons Warehouse available.

Warranty

Warranty periods are as follows:

Drives and receivers have 3 months warranty

Door and gate motors have 12 months warranty

Other products have 6 months warranty

In the event of a problem with the product, please contact us through eBay and include the original purchase information (i.e. your name, address and purchase receipt number)

The warranty does not include damage caused by normal wear and tear, accidents, misuse, lack of maintenance, neglect, natural disaster, or other causes; to damage caused by operating the equipment in a manner outside that described in the instructions. The warranty is considered void if the item has been modified, altered or tampered with by a person(s) not authorised by us to provide service (with the exception of scheduled maintenance). Consumables and accessories such as chains, carry bags, batteries, hoses, grinding discs, belts, cables, wheels, blades, etc. are also not covered once used or for damage caused by general wear and tear.

Once the nature of any fault is determined, the resolution we can offer may vary. To assist with a quick resolution, photos of the damaged item are required for verification. We will repair or replace, at our discretion, any unit determined to be within the warranty period. Where necessary, the unit may need to be returned to repair the fault/issue.

The buyer will be liable for all shipping costs associated with any warranty claim.

For a return for warranty must first be authorised in writing by our Customer Service Team and given a Return Authorisation Number (RAN). We do not accept the return of any item/s without a Return Authorisation Number (RAN).

When a return is authorised, it is the buyer's responsibility to ensure the product is packaged securely to prevent any damage during the return. Failure to do so may affect the resolution to be offered, which may include repairs, replacement items or store credit at our discretion.

For warranty claims, the outcome of the inspection should take no longer than 10 business days from the date the item is received by our warehouse (times may vary).

Warranty claims will not be accepted in cases where the buyer has contributed to the failure, or been misleading in their description of the item. In instances, where freight costs were incurred by us to return your item for inspection, reimbursement to us may be required prior to the return. The item is also to be returned to the buyer at the buyer's expense. Freight cost not to exceed original freight cost. Payment is to be received within 7 days of being notified of warranty rejection. Storage fees to apply beyond 7 days at 5% per week of the original product cost. Where money is owed to us for repairs and/or postage, we will be entitled to hold onto the item until payment is made.

Returns/Exchanges

Exchanges must be made within 7 days of the delivery date. After 7 days, any claims of delivery errors or requests for return will not be accepted.

Items may be returned/exchanged provided that the item(s) are returned in an unused, clean, sellable condition with original packaging and labels intact.

If an item has sustained damage in transit, or is not returned as noted above, a revised refund amount may be required.

Refunds will be refunded less the delivery cost. All exchanges will incur a return delivery fee.

We reserve the right as final authority on whether the products should be refunded or replaced and make no other warranty and do not assume any liability, including any warranty of merchantability or fitness for a particular purpose. Our maximum liability hereunder is limited to the purchase price of the products. In no event shall we be liable for any consequential, indirect, incidental or special damages of any nature arising from the use of the product.

To accept these terms and with to return an item, please send us a message stating your name, order number, the item(s) you wish to return for the return. Our Customer Service team will respond to your email and, if applicable, written authorisation for the return will be provided. Relevant information will also be given to you at this time. We will not accept the return of any item(s) without our prior authorisation.

Feedback

We strive to maintain an excellent customer service so if you have any issues or inquiries about your purchase, please feel free to contact us. We value your feedback and we would be happy to help. Please do not leave negative feedback before contacting us.

Feedback left without any contact will be regarded as an indication of the conclusion of the transaction.

By placing a bid or buying, you have agreed to all the conditions mentioned above.
