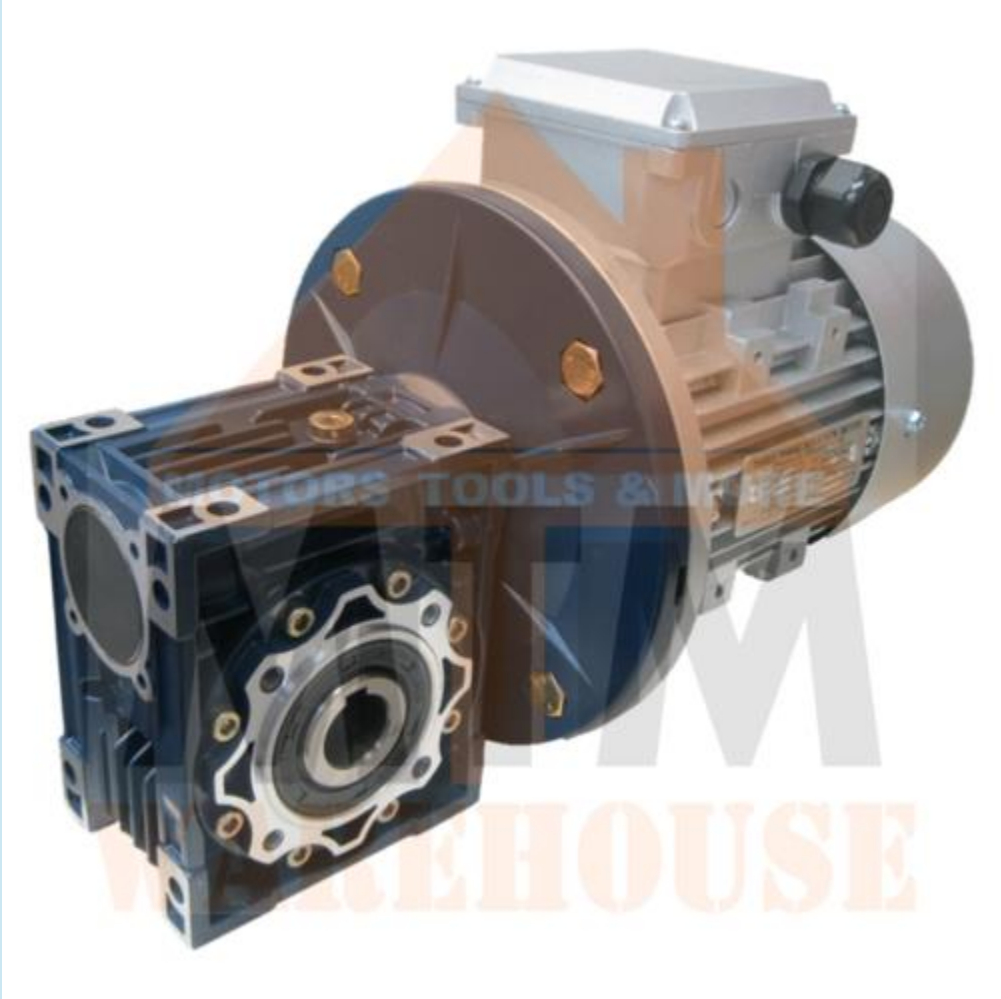


Three Phase 3kW 4HP 140rpm Electric Motor and Worm Gearbox Drive





**Three Phase 3kW 4HP 140rpm Electric Motor and Worm Gearbox Drive**

HP 140rpm Electric Motor and Worm Gearbox Drive

(4HP)

380V Three Phase 50Hz

Speed: 140rpm

Output torque: 180Nm

Shaft size: 35mm (Hollow Output Shaft)

Frame: Type 90

Ratio: 10:1

Efficiency: 1.9 f.s.

Insulation Rating

Painted - Silver Colour

Robust cast iron construction with top mounted terminal box

Protection

Efficiency

IP54 Fan Cooled

Ball bearings, grease packed for life

Resistant to vibration

Options:

Accessories

5

ives

Devices

armacy Packaging

s

sing

ies (Available on request):

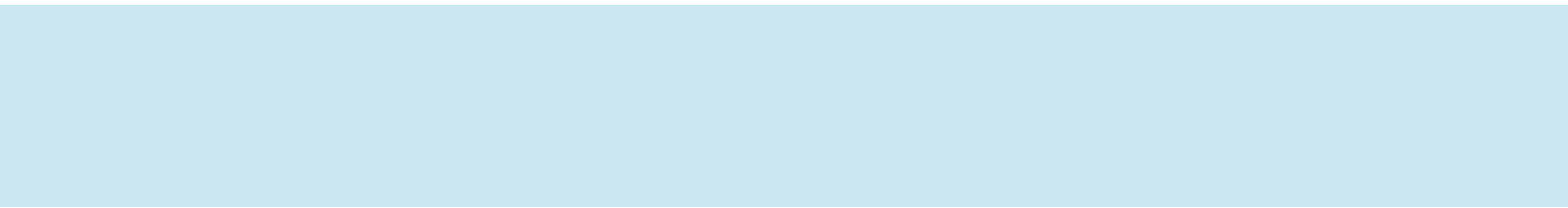
ges

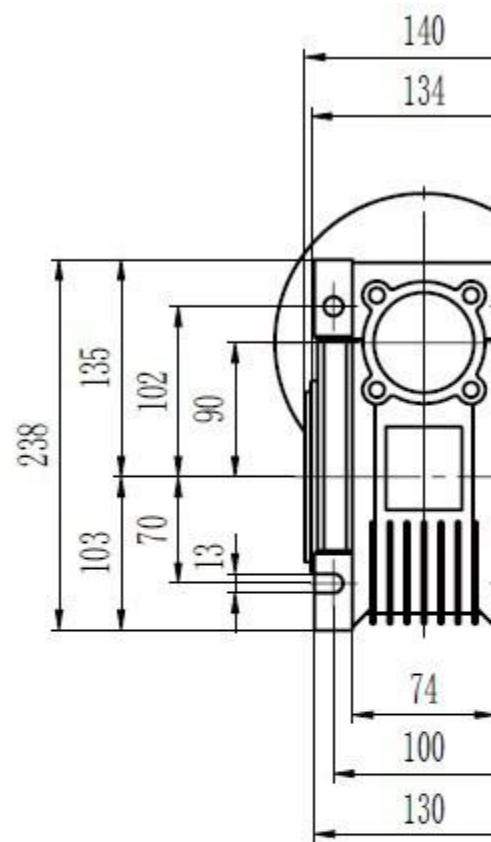
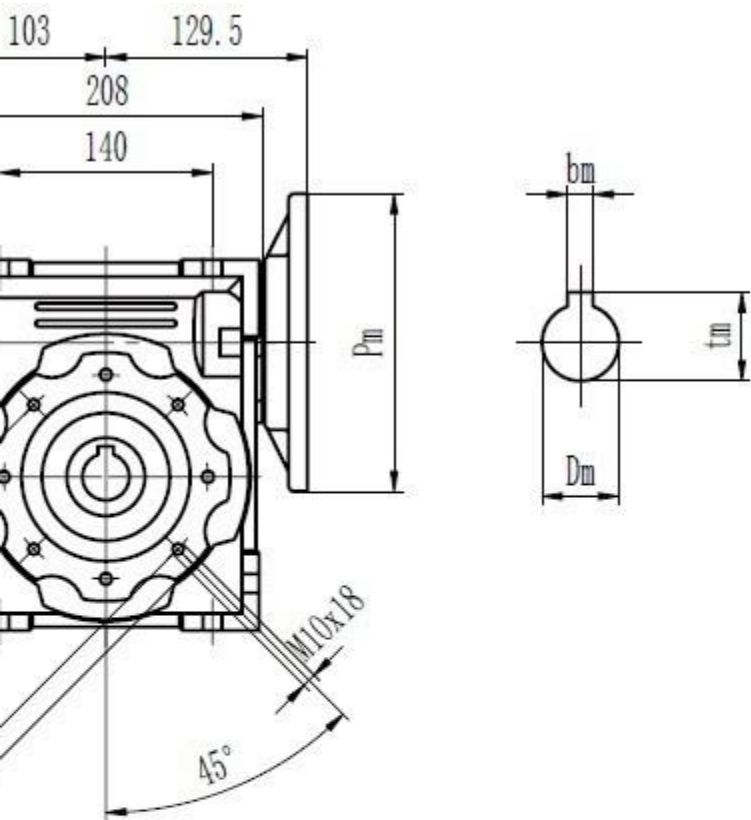
ts

s

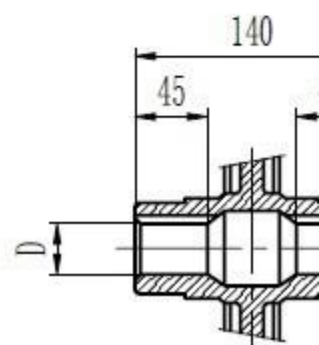
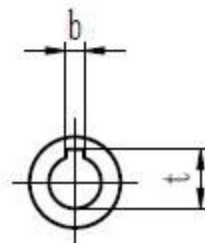
s

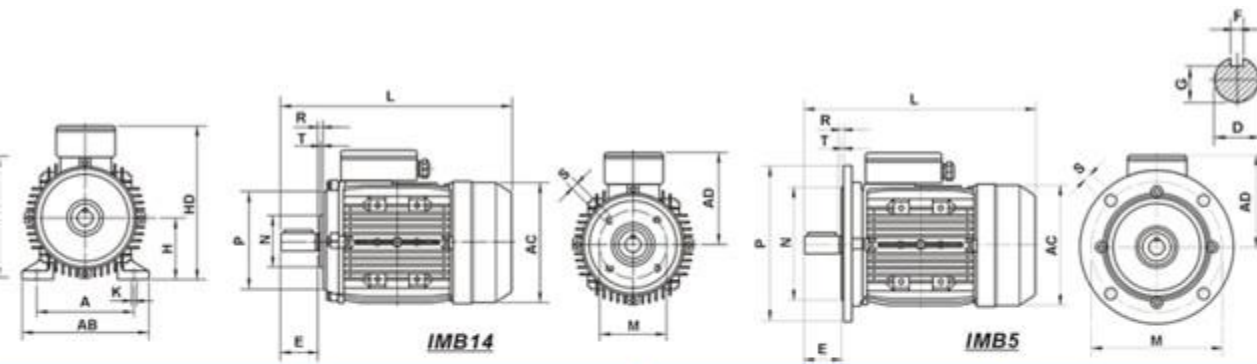
listing is for IMB14 motor, we can also provide IMB5)





Output		
H8	b	t
5	10	38.3





IMB3				IMB14				IMB5				All Dimensions in mm										
D	E	F	G	H	K	M	N	P	R	S	T	M	N	P	R	S	T	AB	AC	AD	HD	L
11	23	4	8.5	63	7	75	60	90	0	M5	2.5	115	95	140	0	10	3.0	130	130	115	190	230
14	30	5	11	71	7	85	70	105	0	M6	2.5	130	110	160	0	10	3.5	145	145	125	210	255
19	40	6	15.5	80	10	100	80	120	0	M6	3.0	165	130	200	0	12	3.5	160	165	135	240	295
24	50	8	20	90	10	115	95	140	0	M8	3.0	165	130	200	0	12	3.5	180	185	145	270	360
28	60	8	24	100	12	-	-	-	-	-	-	215	180	250	0	15	4.0	205	215	170	280	380

We have both Single and Three Phase electric motors between 0.18Kw to 315Kw in 8 pole.

We do not deliver to PO Boxes. Please make sure you have a residential address in your details for us to send your order to.

[Local Pick up from our Sydney, Prestons Warehouse available.](#)

We are a professional Business with many years experience in this market. DO NOT compare this product with other. This is a very high quality motor. Limited Time Offer. QUALITY at the right PRICE. This crazy price will not last long.

### Payments Methods Accepted



### Listing Details

When you purchase from any of our eBay listings you are entering into a contract governed by our terms & conditions below. Please ensure

---

making

your

or demonstration purposes only. Product will match description but may vary from images shown. For any concerns about h  
ore ordering.

/price/stock levels is accurate to our knowledge. All errors or omissions are unintentional. If problems are encountered, please c

---

### **Payment**

ired within 5 days of sale. Payment can be made by Cash on pick-up (from our Warehouse), Paypal, credit card (over the pho  
not be shipped out unless payment has been made

---

### **Shipping/Delivery/Pick up**

shipping tab at the top of our listing for all freight costs and delivery times. Your order will be sent through one of our deli  
Couriers Please, E-Go, Go Logistics and Australia Post. The service used to deliver your order will be automatically select  
no liability for postal delays or lost/damaged parcels, but we will assist the buyer to locate or to obtain a replacement.

street address for all deliveries. We do NOT deliver to PO Boxes, Parcel Lockers or Post Office addresses. We also require a da  
operation hours for dispatch are Monday to Friday 9am to 2:30pm. In the unlikely case that you do not receive your order,

Local Pickup from our Sydney, Prestons Warehouse available.

---

### **Warranty**

e as follows:

- ceivers have 3 months warranty
- ate motors have 12 months warranty
- have 6 months warranty

m with the product, please contact us through eBay and include the original purchase information (i.e. your name, address, email

clude damage caused by normal wear and tear, accidents, misuse, lack of maintenance, neglect, natural disaster, or other extern  
operating the equipment in a manner outside that described in the instructions. The warranty is considered void if the item has be  
a person(s) not authorised by us to provide service (with the exception of standard periodic maintenance). Consumables and acc  
batteries, hoses, grinding discs, belts, cables, wheels, blades, tubs, pads, nets etc. are also not covered once used or for damage ca

ny fault is determined, the resolution we can offer may vary. To assist with a quick resolution, photos of the damaged part/unit v  
repair or replace, at our discretion, any unit determined to be within the warranty period. Where necessary, the item may need t  
.

---

able for all shipping costs associated with any warranty claim.

Warranty must first be authorised in writing by our Customer Service Team and given a Return Authorisation Number (RAN). We will not accept returns without a Return Authorisation Number (RAN).

When authorised, it is the buyer's responsibility to ensure the product is packaged securely to prevent any damage during the return process. No compensation will be offered, which may include repairs, replacement items or store credit at our discretion.

Once authorised, the outcome of the inspection should take no longer than 10 business days from the date the item is received by our service team.

Returns will not be accepted in cases where the buyer has contributed to the failure, or been misleading in their description of their issues. If the return is not authorised, any costs incurred by us to return your item for inspection, reimbursement to us may be required prior to releasing the goods. The item must be returned to us at the buyer's expense. Freight cost not to exceed original freight cost. Payment is to be made to us within 7 days of being notified. Interest charges will apply beyond 7 days at 5% per week of the original product cost until the credit expires. Where money is owed to us for returns, we are entitled to hold onto the item until payment is made.

### **Returns/Exchanges**

Returns must be made within 7 days of the delivery date. After 7 days, any claims of delivery errors or requests for returns or exchanges will not be accepted.

Returns will only be accepted if the item(s) returned/exchanged provided that the item(s) are returned in an unused, clean, sellable condition with original packaging, subject to inspection.

If the item is damaged in transit, or is not returned as noted above, a revised refund amount may be required.

Refunds will be issued less the delivery cost. All exchanges will incur a return delivery fee.

We reserve the right as final authority on whether the products should be refunded or replaced and make no other warranty and no implied warranty of merchantability or fitness for a particular purpose. Our maximum liability hereunder is limited to the purchase price of the products. In no event shall we be liable for consequential, indirect, incidental or special damages of any nature arising from the sale of the product.

For returns and exchanges, please send us a message stating your name, order number, the item(s) you wish to return, and a reason for the return. Our Customer Service team will respond to your email and, if applicable, written authorisation for the return will be given. All other relevant information will be requested at this time. We will not accept the return of any item(s) without our prior authorisation.

---

### **Feedback**

To help us improve and maintain an excellent customer service so if you have any issues or inquiries about your purchase, please feel free to contact us. We would be happy to help. Please do not leave negative feedback before contacting us.

If you do not check back left without any contact will be regarded as an indication of the conclusion of the transaction.

**By placing a bid or buying, you have agreed to all the conditions mentioned above.**

---

