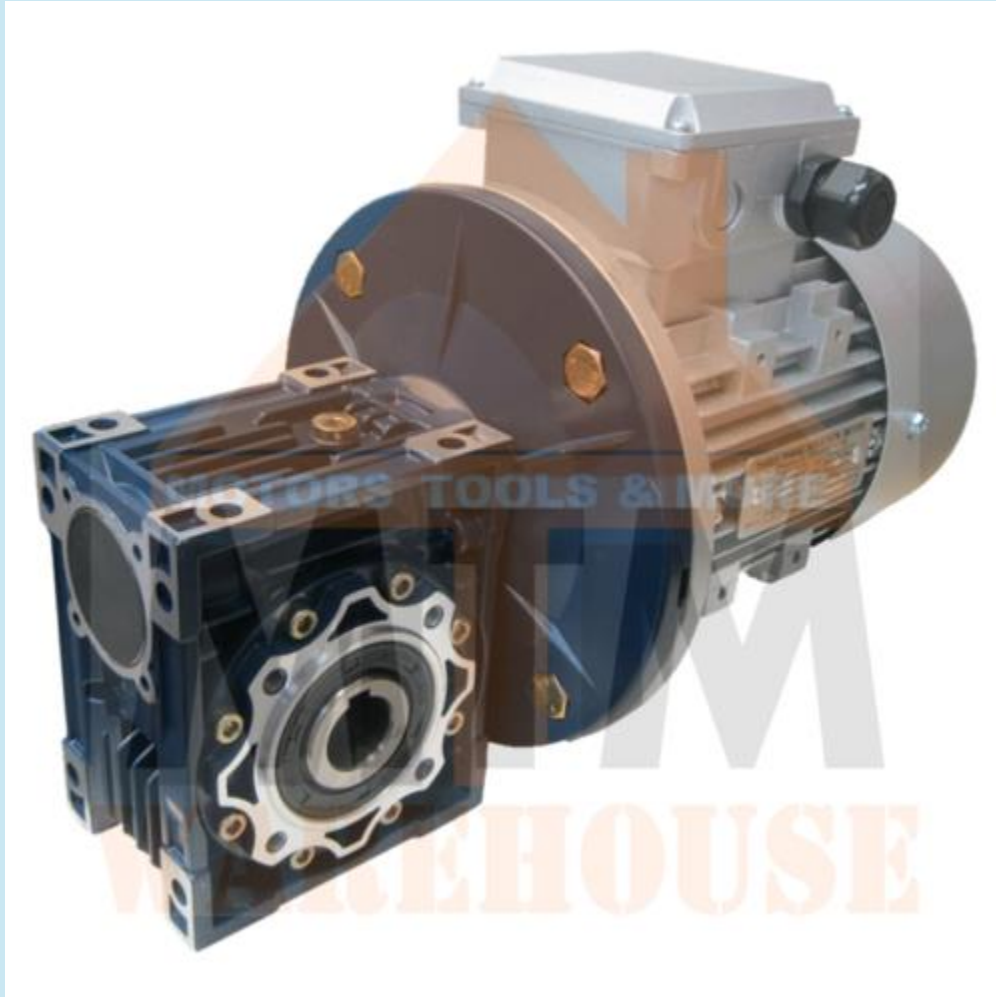


Three Phase 2.2kW 3HP 47rpm Type 90 Electric Motor & Worm Gearbox Drive i30





Three Phase 2.2kW 3HP 47rpm Type 90 Electric Motor & Worm Gearbox Drive i30

Three Phase 2.2kW 3HP 47rpm Electric Motor and Worm Gearbox Drive

Power: 2.2kW (3HP)
Voltage: 415V Three Phase 50Hz
Speed: 47rpm
Torque: 350Nm
Shaft size: 35mm (Hollow Output Shaft)
Type: Type 90
Ratio: 30:1
Efficiency: 1.2 f.s.

Insulation Rating
Painted - Silver Colour
Start/Capacitor Run
Medium construction with top mounted terminal box
Efficiency
Closed Fan Cooled
Ball bearings, grease packed for life
Low vibration

Options:

Accessories

s
ives
Devices
armacy Packaging
s

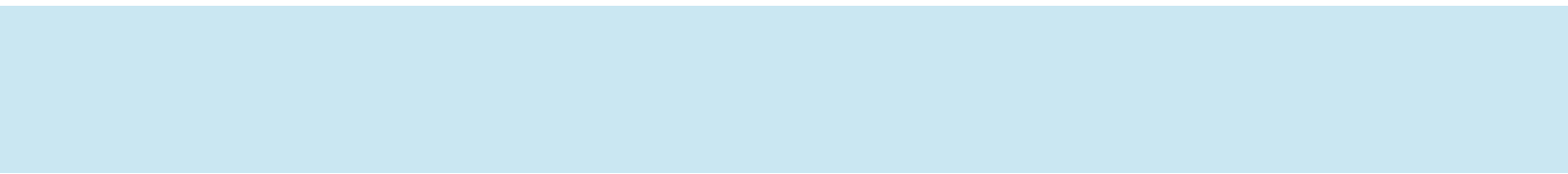
sing

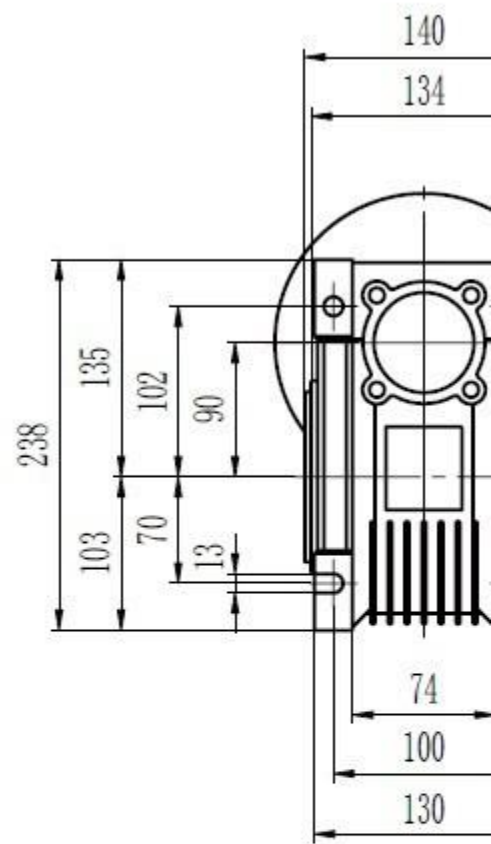
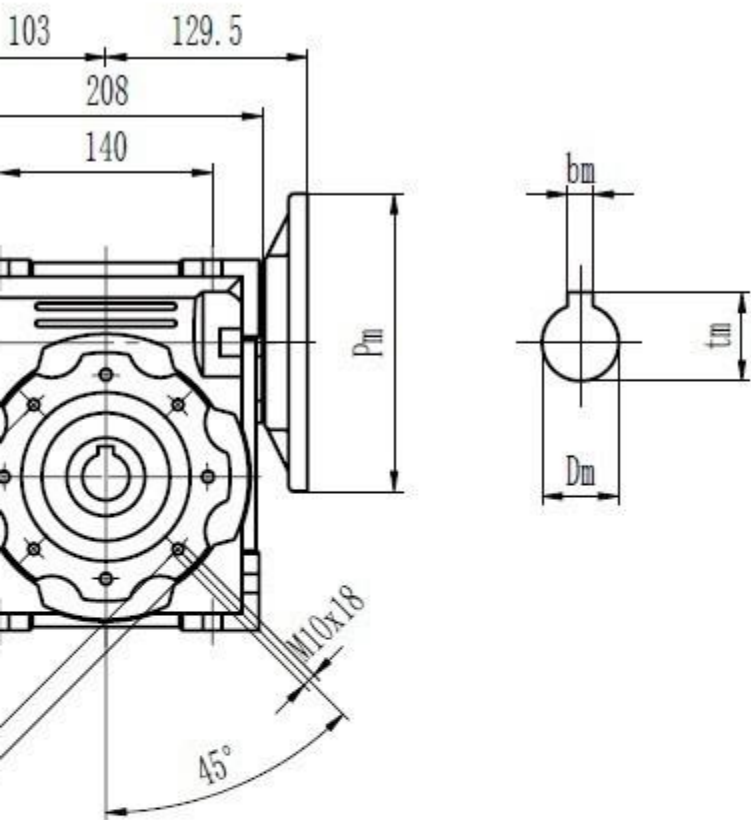
ies (Available on request):

ges
ts
s

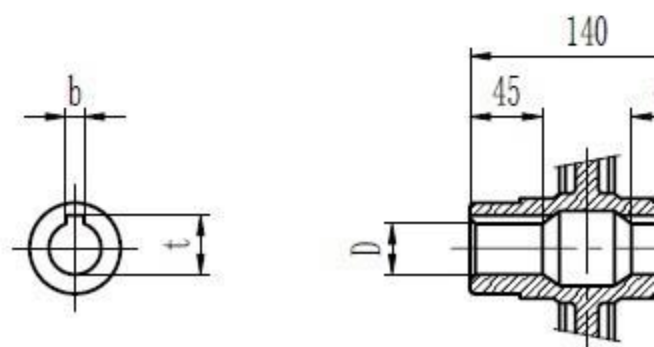
s

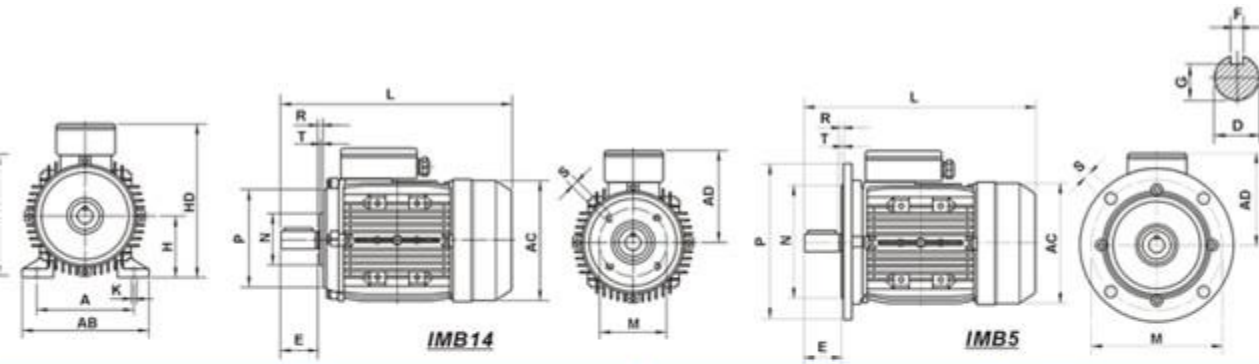
listing is for IMB14 motor, we can also provide IMB5)





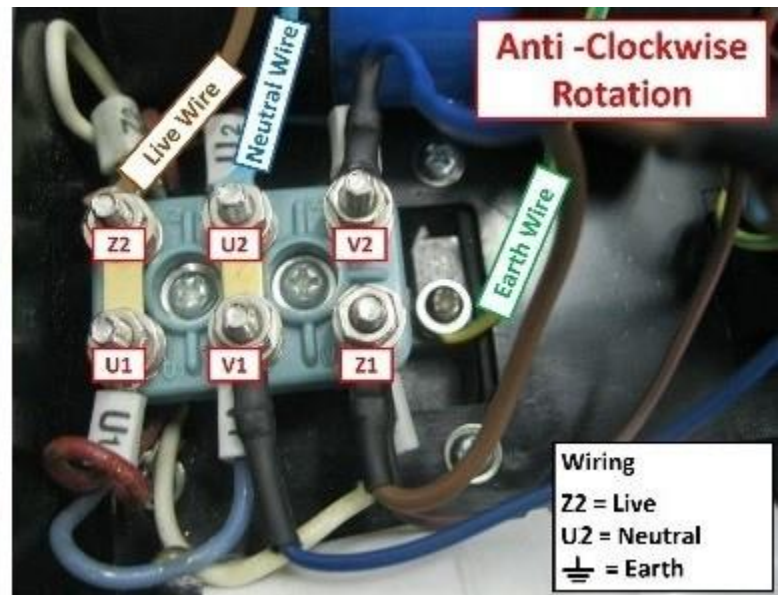
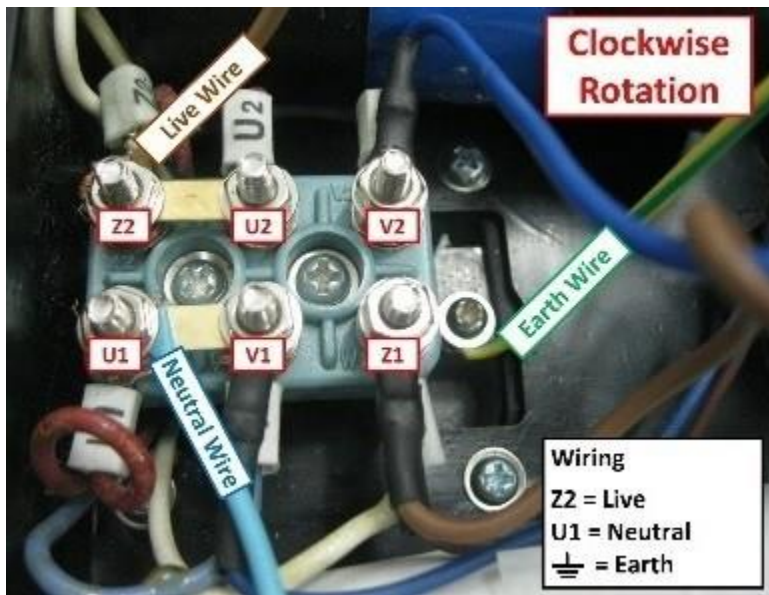
Output		
H8	b	t
5	10	38.3





IMB3				IMB14				IMB5				All Dimensions in mm										
D	E	F	G	H	K	M	N	P	R	S	T	M	N	P	R	S	T	AB	AC	AD	HD	L
11	23	4	8.5	63	7	75	60	90	0	M5	2.5	115	95	140	0	10	3.0	130	130	115	190	230
14	30	5	11	71	7	85	70	105	0	M6	2.5	130	110	160	0	10	3.5	145	145	125	210	255
19	40	6	15.5	80	10	100	80	120	0	M6	3.0	165	130	200	0	12	3.5	160	165	135	240	295
24	50	8	20	90	10	115	95	140	0	M8	3.0	165	130	200	0	12	3.5	180	185	145	270	360
28	60	8	24	100	12	-	-	-	-	-	-	215	180	250	0	15	4.0	205	215	170	280	380

Diagram is located on the cap of the control box):



Single and Three Phase electric motors between 0.18Kw to 315Kw in 2, 4, 6 and 8 pole.

We do not deliver to PO Boxes. Please make sure you have a residential address in your details for us to send your order to.

[Local Pick up from our Sydney, Prestons Warehouse available.](#)

m a professional Business with many years experience in this market. DO NOT compare this product with other
This is a very high quality motor. Limited Time Offer. QUALITY at the right PRICE. This crazy price will not last long

Payments Methods Accepted



Listing Details

urchase from any of our eBay listings you are entering into a contract governed by our terms & conditions below. Please ensure
making your

or demonstration purposes only. Product will match description but may vary from images shown. For any concerns about h
ore ordering.

/price/stock levels is accurate to our knowledge. All errors or omissions are unintentional. If problems are encountered, please c

Payment

quired within 5 days of sale. Payment can be made by Cash on pick-up (from our Warehouse), Paypal, credit card (over the pho
not be shipped out unless payment has been made

Shipping/Delivery/Pick up

shipping tab at the top of our listing for all freight costs and delivery times. Your order will be sent through one of our deli
Couriers Please, E-Go, Go Logistics and Australia Post. The service used to deliver your order will be automatically selecte
no liability for postal delays or lost/damaged parcels, but we will assist the buyer to locate or to obtain a replacement.

street address for all deliveries. We do NOT deliver to PO Boxes, Parcel Lockers or Post Office addresses. We also require a day
operation hours for dispatch are Monday to Friday 9am to 2:30pm. In the unlikely case that you do not receive your order,

Local Pickup from our Sydney, Prestons Warehouse available.

Warranty

e as follows:

receivers have 3 months warranty
ate motors have 12 months warranty
have 6 months warranty

m with the product, please contact us through eBay and include the original purchase information (i.e. your name, address, email

clude damage caused by normal wear and tear, accidents, misuse, lack of maintenance, neglect, natural disaster, or other external
operating the equipment in a manner outside that described in the instructions. The warranty is considered void if the item has been
a person(s) not authorised by us to provide service (with the exception of standard periodic maintenance). Consumables and accessories
batteries, hoses, grinding discs, belts, cables, wheels, blades, tubs, pads, nets etc. are also not covered once used or for damage caused

ny fault is determined, the resolution we can offer may vary. To assist with a quick resolution, photos of the damaged part/unit will
repair or replace, at our discretion, any unit determined to be within the warranty period. Where necessary, the item may need to be

ble for all shipping costs associated with any warranty claim.

nty must first be authorised in writing by our Customer Service Team and given a Return Authorisation Number (RAN). We will not accept
without a Return Authorisation Number (RAN).

horised, it is the buyer's responsibility to ensure the product is packaged securely to prevent any damage during the return process.
ation to be offered, which may include repairs, replacement items or store credit at our discretion.

ms, the outcome of the inspection should take no longer than 10 business days from the date the item is received by our service

l not be accepted in cases where the buyer has contributed to the failure, or been misleading in their description of their issues. If
were incurred by us to return your item for inspection, reimbursement to us may be required prior to releasing the goods. The item
r at the buyer's expense. Freight cost not to exceed original freight cost. Payment is to be made to us within 7 days of being notified
es to apply beyond 7 days at 5% per week of the original product cost until the credit expires. Where money is owed to us for return
entitled to hold onto the item until payment is made.

Returns/Exchanges

es must be made within 7 days of the delivery date. After 7 days, any claims of delivery errors or requests for returns or exchanges

urned/exchanged provided that the item(s) are returned in an unused, clean, sellable condition with original packaging, subject to

ned damage in transit, or is not returned as noted above, a revised refund amount may be required.

unded less the delivery cost. All exchanges will incur a return delivery fee.

t as final authority on whether the products should be refunded or replaced and make no other warranty and no implied warranty of suitability or fitness for a particular purpose. Our maximum liability hereunder is limited to the purchase price of the products. In no event shall we be liable for consequential, indirect, incidental or special damages of any nature arising from the sale of the product.

terms and with to return an item, please send us a message stating your name, order number, the item(s) you wish to return, and your email address. Our Customer Service team will respond to your email and, if applicable, written authorisation for the return will be given. All other relevant terms and conditions apply at this time. We will not accept the return of any item(s) without our prior authorisation.

Contact Us

questions or enquiries, please do not hesitate to send us a message

Feedback

to maintain an excellent customer service so if you have any issues or inquiries about your purchase, please feel free to contact us. We would be happy to help. Please do not leave negative feedback before contacting us.

check left without any contact will be regarded as an indication of the conclusion of the transaction.

By placing a bid or buying, you have agreed to all the conditions mentioned above.

