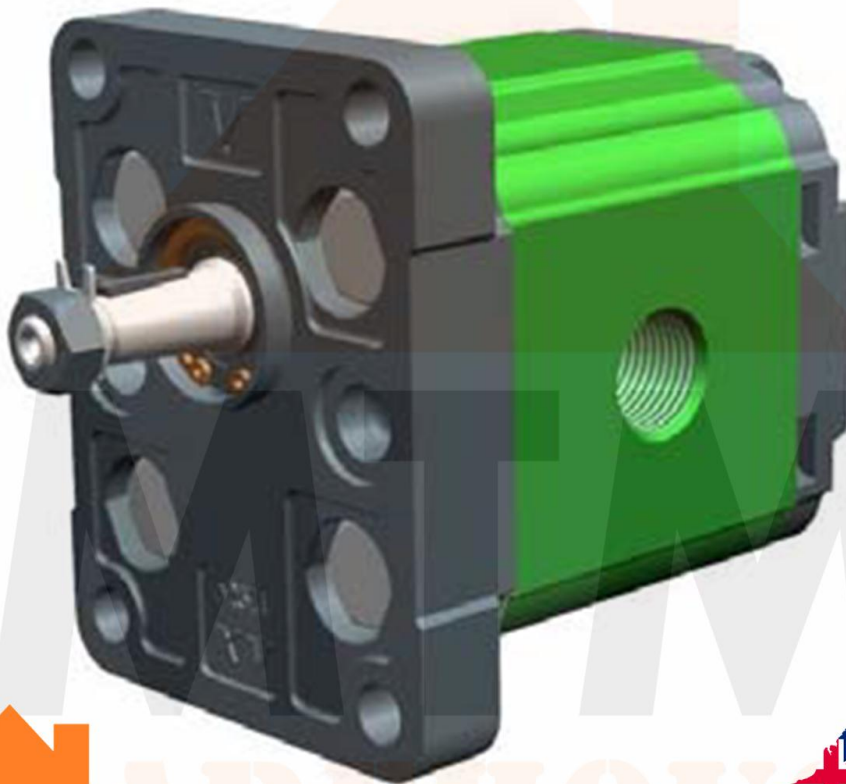


Vivoil (Vivolo) Group 1 DIN Mount Pumps, 1:8 Tapered Shaft

Vivoil (Vivolo) Group 1 DIN Mount Pumps, 1:8 Tapered Shaft



Vivoil (Vivolo) Group 1 DIN Mount Pumps, 1:8 Tapered Shaft

micca Vivolo presents a new series of gear pumps called XV-1P. The quality of the product has been improved on by exploiting innovations, both technical and constructive, for which the company has been awarded 3 patents.

displacements from 0.91cm^3 / revolution to 9.88cm^3 / revolution

working pressures up to **300 bar**

flange diameter $\varnothing 25.4$ - Standard European


factory Left Rotation (*01*)

maximum speeds up to **6000 rpm**

connections with inlet and outlet in the body, flange and cover

keyway tapered 1:8 Woodruff key

Technical data table

	Displacement	Max. Pressure			CODE																
	cm ³ /rev	P1 bar	P3 bar		Left rotation				Right rotation												
0.9	0,91	240	280	X	1	P	16	01	F	B	B	A	X	1	P	16	02	F	B	B	A
1.2	1,17	250	290	X	1	P	17	01	F	B	B	A	X	1	P	17	02	F	B	B	A
1.7	1,56	250	290	X	1	P	18	01	F	B	B	A	X	1	P	18	02	F	B	B	A
2.2	2,08	250	290	X	1	P	20	01	F	B	B	A	X	1	P	20	02	F	B	B	A
2.6	2,60	250	300	X	1	P	21	01	F	B	B	A	X	1	P	21	02	F	B	B	A
3.2	3,12	250	300	X	1	P	23	01	F	B	B	A	X	1	P	23	02	F	B	B	A
3.8	3,64	250	300	X	1	P	25	01	F	B	B	A	X	1	P	25	02	F	B	B	A
4.3	4,16	250	300	X	1	P	27	01	F	B	B	A	X	1	P	27	02	F	B	B	A
4.9	4,94	250	300	X	1	P	29	01	F	B	B	A	X	1	P	29	02	F	B	B	A
5.9	5,85	250	300	X	1	P	31	01	F	B	B	A	X	1	P	31	02	F	B	B	A
6.5	6,50	250	300	X	1	P	32	01	F	B	B	A	X	1	P	32	02	F	B	B	A
7.8	7,54	220	260	X	1	P	34	01	F	B	B	A	X	1	P	34	02	F	B	B	A
9.8	9,88	190	230	X	1	P	36	01	F	B	B	A	X	1	P	36	02	F	B	B	A

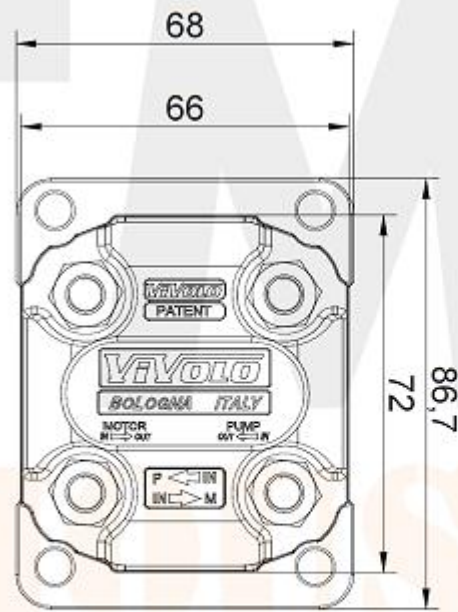
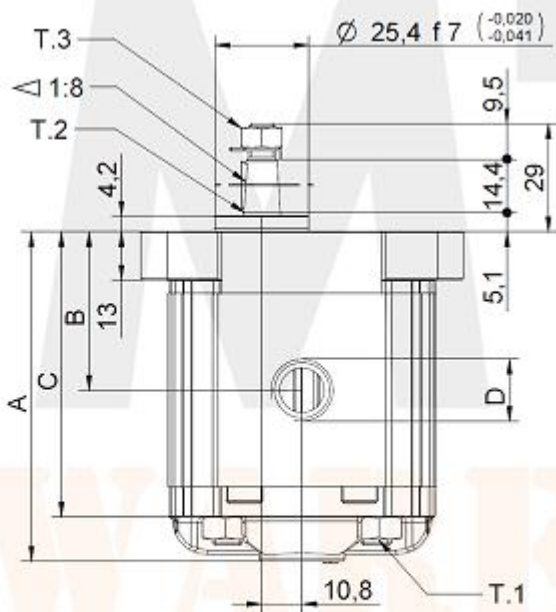
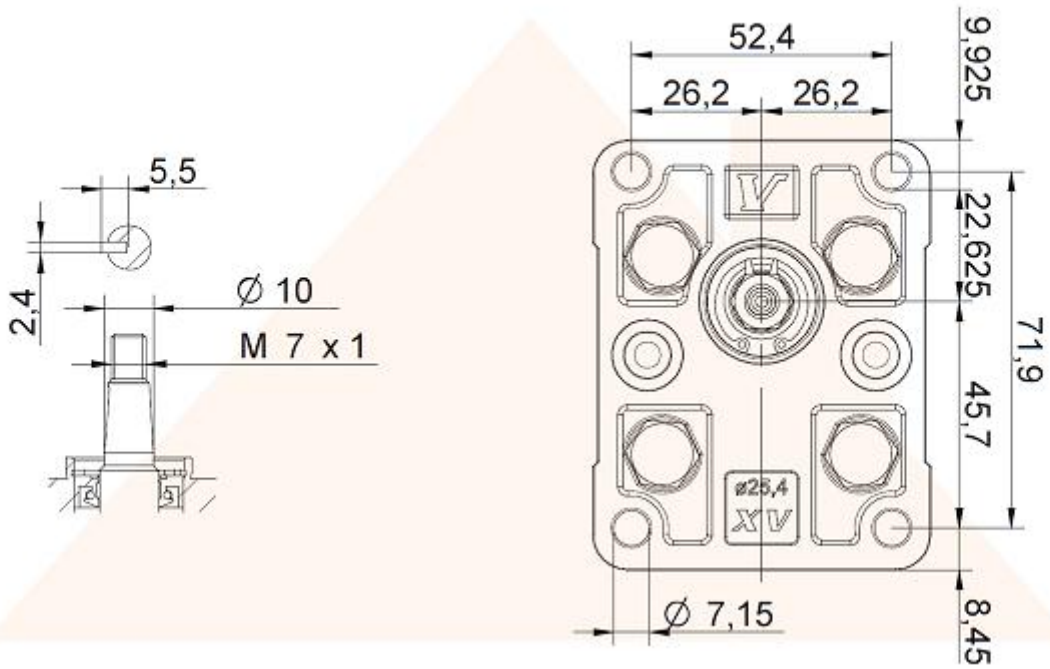
working pressure - P3) Max. peak pressure

ty-duty applications, it is recommended to check the admissible torque of the

Type	Displacement	Max. Pressure	Min speed	Max speed
XV-1P/0.9	0.91 cm ³ /rev	280 bar	700 rpm	6000 rpm
XV-1P/1.2	1.17 cm ³ /rev	290 bar	700 rpm	6000 rpm
XV-1P/1.7	1.56 cm ³ /rev	290 bar	700 rpm	6000 rpm
XV-1P/2.2	2.08 cm ³ /rev	290 bar	700 rpm	6000 rpm
XV-1P/2.6	2.60 cm ³ /rev	300 bar	700 rpm	6000 rpm
XV-1P/3.2	3.12 cm ³ /rev	300 bar	700 rpm	6000 rpm
XV-1P/3.8	3.64 cm ³ /rev	300 bar	700 rpm	6000 rpm
XV-1P/4.3	4.16 cm ³ /rev	300 bar	700 rpm	6000 rpm
XV-1P/4.9	4.94 cm ³ /rev	300 bar	700 rpm	6000 rpm
XV-1P/5.9	5.85 cm ³ /rev	300 bar	700 rpm	5000 rpm
XV-1P/6.5	6.50 cm ³ /rev	300 bar	700 rpm	5000 rpm
XV-1P/7.8	7.54 cm ³ /rev	260 bar	700 rpm	5000 rpm
XV-1P/9.8	9.88 cm ³ /rev	230 bar	700 rpm	4000 rpm

Dimensions table

TYPE	Weight	A	B	C	D	D
	kg	mm	mm	mm	IN	OUT
XV-1P/0.9	0,950	78,1	37,3	66,1	3/8" BSPP	3/8" BSPP
XV-1P/1.2	0,970	79,0	37,8	67,0	3/8" BSPP	3/8" BSPP
XV-1P/1.7	1,010	80,5	38,5	68,5	3/8" BSPP	3/8" BSPP
XV-1P/2.2	1,030	82,5	39,5	70,5	3/8" BSPP	3/8" BSPP
XV-1P/2.6	1,060	84,5	40,5	72,5	3/8" BSPP	3/8" BSPP
XV-1P/3.2	1,090	86,5	41,5	74,5	3/8" BSPP	3/8" BSPP
XV-1P/3.8	1,120	88,5	42,5	76,5	3/8" BSPP	3/8" BSPP
XV-1P/4.3	1,170	90,5	43,5	78,5	3/8" BSPP	3/8" BSPP
XV-1P/4.9	1,200	93,5	45,0	81,5	3/8" BSPP	3/8" BSPP
XV-1P/5.9	1,260	97,0	46,8	85,0	3/8" BSPP	3/8" BSPP
XV-1P/6.5	1,300	98,5	48,0	86,5	3/8" BSPP	3/8" BSPP
XV-1P/7.8	1,360	103,5	50,0	91,5	3/8" BSPP	3/8" BSPP
XV-1P/9.8	1,500	112,5	54,5	100,5	3/8" BSPP	3/8" BSPP



ions of flanges, shafts and rotation are available. Please contact us for further enquiries and information.

ons:

tions of flanges

- Ø30 - Standard
- Ø32 BH - Body-Shaped;
- Ø32 HY - Body-Shaped;
- Ø32 BH - Standard German - Body-Shaped;
- Ø50.8 - SAE AA

tions of shafts

- Parallel with key;
- Milled shank;
- Splined

We do not deliver to PO Boxes. Please make sure you have a residential address in your details for us to send your order to.

[Local Pick up from our Sydney, Prestons Warehouse available.](#)

g from a professional Business with many years experience in this market. DO NOT compare this product with
s or even same prices. This is commercial quality. Limited Time Offer. QUALITY at the right PRICE. This cr
ng.

Payment Methods Accepted



Listing Details

a purchase from any of our eBay listings you are entering into a contract governed by our terms & conditions below. Please e
these before making your

are for demonstration purposes only. Product will match description but may vary from images shown. For any concerns about
contact us before ordering.

ption/price/stock levels is accurate to our knowledge. All errors or omissions are unintentional. If problems are encountered, please

Payment

required within 5 days of sale. Payment can be made by Cash on pick-up (from our Warehouse), Paypal, credit card (over the phone). Items will not be shipped out unless payment has been made.

Shipping/Delivery/Pick up

our shipping tab at the top of our listing for all freight costs and delivery times. Your order will be sent through one of our delivery partners: Toll, TNT, Couriers Please, E-Go, Go Logistics and Australia Post. The service used to deliver your order will be automatically selected. We assume no liability for postal delays or lost/damaged parcels, but we will assist the buyer to locate or to obtain a replacement. Please provide a valid street address for all deliveries. We do NOT deliver to PO Boxes, Parcel Lockers or Post Office addresses. We also require a contact number for all orders. Our operation hours for dispatch are Monday to Friday 9am to 2:30pm. In the unlikely case that you do not receive your order, please contact us to resolve this.

Local Pickup from our Sydney, Prestons Warehouse available.

Warranty

Terms are as follows:

Hand receivers have 3 months warranty
Hand gate motors have 12 months warranty
Hand trucks have 6 months warranty

If you have a problem with the product, please contact us through eBay and include the original purchase information (i.e. your name, address, contact number)

The warranty does not include damage caused by normal wear and tear, accidents, misuse, lack of maintenance, neglect, natural disaster, or other events caused by operating the equipment in a manner outside that described in the instructions. The warranty is considered void if the item has been modified or tampered with by a person(s) not authorised by us to provide service (with the exception of standard periodic maintenance). Accessories such as chains, carry bags, batteries, hoses, grinding discs, belts, cables, wheels, blades, tubs, pads, nets etc. are also not covered by the warranty. Damage caused by general wear and tear.

If the cause of any fault is determined, the resolution we can offer may vary. To assist with a quick resolution, photos of the damaged part/issue are required for confirmation. We will repair or replace, at our discretion, any unit determined to be within the warranty period. Where necessary, the unit will be returned to repair the fault/issue.

We are not liable for all shipping costs associated with any warranty claim.

All warranty requests must first be authorised in writing by our Customer Service Team and given a Return Authorisation Number (RAN). We

n of any item/s without a Return Authorisation Number (RAN).

s authorised, it is the buyer's responsibility to ensure the product is packaged securely to prevent any damage during the return p
fect the resolution to be offered, which may include repairs, replacement items or store credit at our discretion.

y claims, the outcome of the inspection should take no longer than 10 business days from the date the item is received by our ser
es may vary).

s will not be accepted in cases where the buyer has contributed to the failure, or been misleading in their description of their iss
e freight costs were incurred by us to return your item for inspection, reimbursement to us may be required prior to releasing the
e returned to the buyer at the buyer's expense. Freight cost not to exceed original freight cost. Payment is to be made to us with
f warranty rejection. Storage fees to apply beyond 7 days at 5% per week of the original product cost until the credit expires. W
repairs and/or postage, we will be entitled to hold onto the item until payment is made.

Returns/Exchanges

anges must be made within 7 days of the delivery date. After 7 days, any claims of delivery errors or requests for returns or exc

be returned/exchanged provided that the item(s) are returned in an unused, clean, sellable condition with original packaging

sustained damage in transit, or is not returned as noted above, a revised refund amount may be required.

be refunded less the delivery cost. All exchanges will incur a return delivery fee.

right as final authority on whether the products should be refunded or replaced and make no other warranty and no imp
warranty of merchantability or fitness for a particular purpose. Our maximum liability hereunder is limited to the purchase price
l we be liable for any consequential, indirect, incidental or special damages of any nature arising from the sale of the product.

ese terms and with to return an item, please send us a message stating your name, order number, the item(s) you wish to return
Our Customer Service team will respond to your email and, if applicable, written authorisation for the return will be given. Al
l also be given to you at this time. We will not accept the return of any item(s) without our prior authorisation.

Contact Us

If you any questions or enquiries, please send us a eBay.

Feedback

ive to maintain an excellent customer service so if you have any issues or inquiries about your purchase, please feel free to co
k and we would be happy to help. Please do not leave negative feedback before contacting us.

edback left without any contact will be regarded as an indication of the conclusion of the transaction.

d or buying, you have agreed to all the conditions mentioned above.

