

## Automatic Roller Garage Door Motor Opener

348954 574

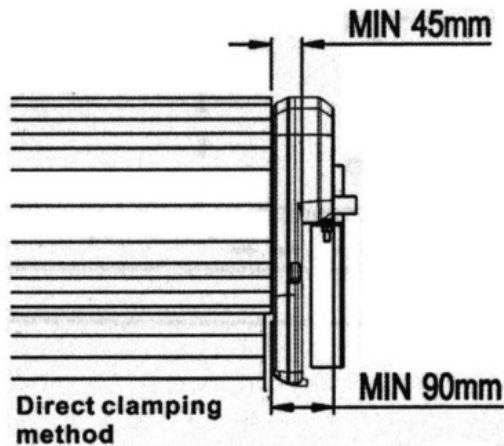


### Automatic Roller Garage Door Motor Opener

Our Roller Garage Door Opener sets new standards for roller door openers, offering outstanding power and efficiency as well as unrivalled safety and technology, backed by a 12 months warranty for internal motor. Feature-packed in standard configuration and available with a host of innovative options, a roller door system is not the best it can be without our Roller Garage Door Opener.

### 3.DOOR REQUIREMENTS

The maximum allowable door height is 5.5m. The door must be of continuous corrugated sheet construction and spring balanced. Door axle diameter must not exceed 35mm.



Ensure that there is at least 45 mm from the edge of the curtain to the edge of the bracket. If the roller door drum is on the edge of the curtain or is a smaller diameter, additional clearance may be required.

**If the drum is more than 60 mm from the curtain edge or of a smaller diameter, an extension pole kit may be required (section 10).**

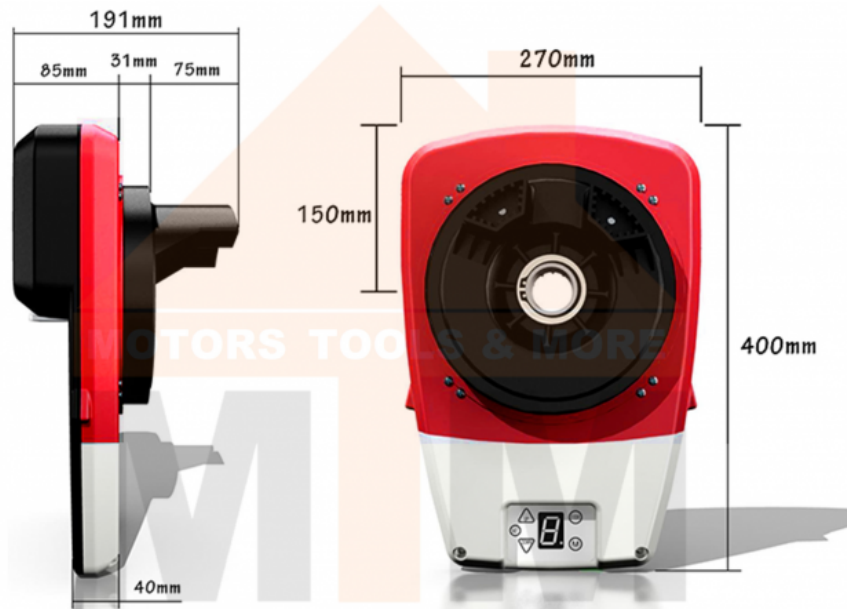
Ensure there is a power point near the opener.

#### Features:

- Soft Start/Soft Stop
- Automatic Safety Reverse System
- Automatic Courtesy LED Light
- Electronic Power Stabiliser
- Rolling Code Technology
- Permanent Lubricated Motor, Low Vibration and Quiet

#### Specifications:

- Power Input: 240V AC, 50~60Hz
- Motor: 24V DC
- Max Door Size: 2.8m(H) x 5m(W) or up to 18m<sup>2</sup>
- Radio Frequency: 433 MHz, Rolling Code
- Opening Speed: 200mm/s
- Max Door Weight: 100kg
- Pulling Force: 600N



**Kit Includes:**

- Roller Garage Door Opener
- 2 x Remotes (4 button)
- Weight Bar
- Mounting Bolts

**Please note:** Free shipping for metro areas only. For all other areas, please confirm shipping with us before purchasing to see if you are eligible for free shipping.

**We do not deliver to PO Boxes. Please make sure you have a residential address in your details for us to send your order to.**

**Free shipping for metro areas only, excluding TAS & NT.**

**If you are not in a metro area or are unsure, please message us to arrange payment for non-metro delivery. Local Pick up from our Sydney, Prestons Warehouse available.**

You are buying from a professional Business with many years experience in this market. DO NOT compare this product with other cheaper prices or even same prices. This is a very high quality garage motor. Limited Time Offer. QUALITY at the right PRICE. This crazy price will not last long.

**Payment Methods Accepted**



**Listing Details**

When making a purchase from any of our eBay listings you are entering into a contract governed by our terms & conditions below. Please ensure you have read these before making your purchase.

Images shown are for demonstration purposes only. Product will match description but may vary from images shown. For any concerns about how a product looks please contact us before ordering.

The item description/price/stock levels is accurate to our knowledge. All errors or omissions are unintentional. If problems are encountered, please contact us.

**Payment**

Full payment is required within 5 days of sale. Payment can be made by Cash on pick-up (from our Warehouse), Paypal, credit card (over the phone) or bank deposit. Items will not be shipped out unless payment has been made in full.

**Shipping/Delivery/Pick up**

Please refer to our shipping tab at the top of our listing for all freight costs and delivery times. Your order will be sent through one of our delivery partners which include Toll, TNT, Couriers Please, E-Go, Go Logistics and Australia Post. The service used to deliver your order will be automatically selected by our freighting system. We assume no liability for postal delays or lost/damaged parcels, but we will assist the buyer to locate or to obtain a replacement.

We require a valid street address for all deliveries. We do NOT deliver to PO Boxes, Parcel Lockers or Post Office addresses. We also require a daytime phone number for all orders. Our operation hours for dispatch are Monday to Friday 9am to 2:30pm. In the unlikely case that you do not receive your order, please contact us to resolve this.

Local Pickup from our Sydney, Prestons Warehouse available.

### Warranty

Warranty periods are as follows:

- All remotes and receivers have 3 months warranty
- Garage door and gate motors have 12 months warranty
- All other products have 6 months warranty

name, address, email and purchase receipt number)

Warranty does not include damage caused by normal wear and tear, accidents, misuse, lack of maintenance, neglect, natural disaster, or other external causes; (if the item has been repaired or replaced under warranty). Consumables (e.g. remote batteries) are also not covered once used or for damage caused by general wear and tear.

Until the nature of any fault is determined, the resolution we can offer may vary. To assist with a quick resolution, photos of the damaged part/unit will be required for verification. We will repair or replace, at our discretion, any unit determined to be within the warranty period. Where necessary, the item may need to be returned to repair the fault/issue.

The buyer will be liable for all shipping costs associated with any warranty claim.

All returns for warranty must first be authorised in writing by our Customer Service Team and given a Return Authorisation Number (RAN). We will not accept the return of any item/s without a Return Authorisation Number (RAN).

When a return is authorised, it is the buyer's responsibility to ensure the product is packaged securely to prevent any damage during the return process. Failure to do so may affect the resolution to be offered, which may include repairs, replacement items or store credit at our discretion.

Handled by our service department (times may vary).

Resolution of their issues. In these circumstances, we reserve the right to releasing the goods. The item is also to be returned to the buyer at the buyer's expense. Freight cost not to exceed original freight cost. Payment is to be made to us within 7 days of credit expires. Where money is owed to us for repairs and/or postage, we will be entitled to hold onto the item until payment is made.

### Returns/Exchanges

Returns or exchanges must be made within 7 days of the delivery date. After 7 days, any claims of delivery errors or requests for returns or exchanges will not be accepted.

Products may be returned/exchanged provided that the item(s) are returned in an unused, clean, sellable condition with original packaging, subject to our discretion.

If the item has sustained damage in transit, or is not returned as noted above, a revised refund amount may be required.

All returns will be refunded less the delivery cost. All exchanges will incur a return delivery fee.

We reserve the right as final authority on whether the products should be refunded or replaced and make no other warranty and no implied warranties, including the purchase price of the products. We do not warrant the performance of the product.

If you accept these terms and wish to return an item, please send us a message stating your name, order number, the item(s) you wish to return, and the reason for the return. Our Customer Service team will respond to your email and, if applicable, written authorisation for the return will be given. All other relevant information will also be given to you at this time. We will not accept the return of any item(s) without our prior authorisation.

### Contact Us

If you have any questions or enquiries, please send us a message or call us on (02) 9607 4300

### Feedback

At MTM we strive to maintain an excellent customer service so if you have any issues or inquiries about your purchase, please feel free to contact us before leaving feedback and we would be happy to help. Please do not leave negative feedback before contacting us.

Any negative feedback left without any contact will be regarded as an indication of the conclusion of the transaction.

**By placing a bid or buying, you have agreed to all the conditions mentioned above.**