

4 Channel

BFT - TRANSMITTER



CODE TYPE

Smart button technology - each with pre-programmed buttons.

CHANNELS

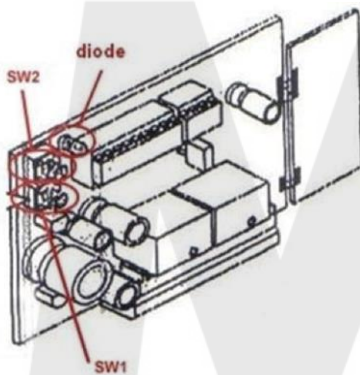
4 available channels per programmed transmitter (all with smart button technology)

KIT CONTAINS

1 x transmitter
1 x 12 Volt Alkaline battery

HOW TO PROGRAM YOUR NEW REMOTE

Receiver without digital screen (first type of receiver) - See next page for Receiver with Digital Screen



1. Open your motor, and try and find the receiver. If your receiver is in a case, then remove the casing.
2. If you want the transmitter to activate output 1, press push button SW1, otherwise press push button SW2 to activate output 2. The LED light on receiver will start to flash.



3. Press and release the number "3" and the number "4" button on your new remote control at the same time. This will cause the LED to stop flashing, and remain illuminated.



4. Press and release any button on your new remote control that you want to use to control your garage/gate. This will cause the LED to flash fast. Which indicates that the new remote has been coded. After about 1 second, the LED will continue flashing, but will be flashing slowly.



5. If you would like to code in additional remotes, it should be done now, you will need to start again using the additional remote and complete steps 3 & 4 for each new remote. Whether you code additional remotes or not, once you have finished coding your remote(s), the LED should be flashing slowly.
6. Wait 15 seconds.
7. Your new remote control are now programmed.

4 Channel

BFT - TRANSMITTER

Receiver with digital screen (Second type of receiver)

1. Press the "OK" button on your receiver twice. The screen will display "PARA."
2. Press the "-" button on your receiver twice. The screen will then display "RADIO."
3. Press the "OK" button on your receiver once. The screen will display "ADJSTRT."
4. Press the "OK" button on your receiver once. The screen will display "Hidden Button."
5. Press the number "3" and the number "4" button on your new remote control at the same time. Keep them pressed down.
6. Keep holding the buttons down until the screen displays "Released". let the buttons go. The screen will display "Desired Button".
7. Press and release the button on your new remote control that you want to use to control your gate/garage. The screen then displays "OK".
8. If you would like to program an additional remote: When "ADJSTRT" appears, press "OK" to code an additional remote, and repeat the steps.
9. After coding the remote(s), wait about 30 seconds.
10. your new remote(s) control is programmed.

MTM

WAREHOUSE