



5" AIR ANGLE GRINDER PNEUMATIC TOOL INSTRUCTION MANUAL



THIS MANUAL CONTAINS IMPORTANT INFORMATION REGARDING SAFETY, OPERATION, MAINTENANCE AND STORAGE OF THIS PRODUCT. BEFORE USE, READ CAREFULLY AND UNDERSTAND ALL CAUTIONS, WARNINGS, INSTRUCTIONS AND PRODUCT LABELS. FAILURE TO DO SO COULD RESULT IN SERIOUS PERSONAL INJURY AND/OR PROPERTY DAMAGE.



TABLE OF CONTENTS

CONGRATULATIONS!.....	1
INTENDED USE.....	1
SECTION ONE	
GENERAL SAFETY RULES.....	2
RECOGNISE SAFETY SYMBOLS, WORDS AND LABELS.....	2
IMPORTANT SAFEGUARDS.....	3
SERVICE.....	3
SECTION TWO	
SPECIFIC SAFETY RULES AND/OR SYMBOLS.....	3
IMPORTANT SAFETY RULES FOR AIR TOOLS.....	4
SECTION THREE	
FUNCTIONAL DESCRIPTION.....	4
ASSEMBLY	5
OPERATION.....	5
SECTION FOUR	
SPECIFICATIONS.....	6
MAINTENANCE.....	6
ACCESSORIES.....	6
TROUBLESHOOTING.....	6
PARTS DIAGRAM.....	7
PARTS LIST.....	8

CONGRATULATIONS!

Thanks for choosing this product. Our aim is to provide you with quality products at an affordable price, and we want you to be totally satisfied with your product and our Customer Service. Properly cared for, this tool will give you many years of satisfaction.

INTENDED USE

This tool is intended for consumer use only

GENERAL SAFETY RULES

 **WARNING** **READ AND UNDERSTAND ALL INSTRUCTIONS.** Failure to follow all instructions listed may result in serious personal injury.

SAVE THESE INSTRUCTIONS FOR FUTURE REFERENCE.

RECOGNISE SAFETY SYMBOLS, WORDS AND LABELS

The safety instructions provided in this manual are not intended to cover all possible conditions and practices that may occur when operating, maintaining and cleaning tools.

Always use common sense and pay particular attention to all the **DANGER, WARNING, CAUTION** and **NOTE** statements of this manual.



This is the safety alert symbol. It is used to alert you to potential personal injury hazards. Obey all safety messages that follow this symbol to avoid possible injury or death.



DANGER indicates an imminently hazardous situation which, if not avoided, will result in death or serious injury.



WARNING indicates a potentially hazardous situation which, if not avoided, could result in death or serious injury.



CAUTION indicates a potentially hazardous situation which, if not avoided, may result in minor or moderate injury.



CAUTION used without the safety alert symbol indicates a potentially hazardous situation which, if not avoided, may result in property damage.



NOTE provides additional information that is useful for proper use and maintenance of this tool. If a

NOTE is indicated make sure it is fully understood.



IMPORTANT SAFEGUARDS

⚠ DANGER

WARNING: Some dust created by power sanding, sawing, grinding, drilling and other construction activities contains chemicals known to the State of California to cause cancer, birth defects or other reproductive harm.

Some examples of these chemicals are:

- Lead from lead-based paints.
- Crystalline silica from bricks and cement and other masonry products, and arsenic and chromium from chemically-treated lumber.

Your risk from these exposures varies, depending on how often you do this type of work. To reduce your exposure to these chemicals: work in a well ventilated area, and work with approved safety equipment, such as dust masks that are specially designed to filter out microscopic particles.

SERVICE

⚠ Caution

Tool service must be performed only by qualified repair personnel. Service or maintenance by unqualified personnel could result in a risk of injury.

When servicing a tool, use only identical replacement parts. Follow instructions in the Maintenance section of this manual. Use of unauthorized parts or failure to follow Maintenance Instructions may create a risk of shock or injury.

SPECIFIC SAFETY RULES AND/OR SYMBOLS

⚠ Caution

Maximum operating pressure is 90 PSI. Never use higher air pressure to increase the output of the Air Angle Grinder. Overloading will drastically shorten the life of all internal parts.

Disconnect Air Angle Grinder from power air supply before servicing or changing accessories.

IMPORTANT SAFETY RULES FOR AIR TOOLS



Caution

BEFORE OPERATING YOUR AIR TOOL, READ THE FOLLOWING INFORMATION:

Always inspect, maintain and operate in accordance with ANSI safety code for portable air tools (ANSI B186.1) and other local safety codes and regulations.

Do not operate this tool over 90 PSI air pressure at the tool.

Always wear safety goggles when operating this tool.

Always disconnect this tool from the air supply before installing, adjusting or removing any accessory in this tool, or before performing maintenance.

Always use a dust mask in dusty conditions.

User and bystanders must wear suitable hearing protection when this tool is in use.

Do not carry any air tool by the hose. Keep air hose away from heat and sharp objects.

Continuous use of vibrating air tools by susceptible users may cause damage to hands.

Always wear gloves and protective clothing to help prevent injury from flying particles.

Always lubricate and maintain tool in safe operating conditions.

FUNCTIONAL DESCRIPTION

CONTROLS AND COMPONENTS:

1. Air inlet
2. Housing
3. Dead Handle
4. Throttle lever
5. Safety lock
6. Disc guard
7. Grinding wheel



ASSEMBLY

WARNING

Always disconnect this tool from the air supply before installing, adjusting or removing any accessory in this tool, or before performing maintenance.

Failure to do so could result in injury.

Check the speed rating on all accessories. Accessories must never be run at a higher speed than they were designed to handle.

1. Remove protective cap from the air inlet. Mount male plug by hand into air inlet.
2. Install the dead handle through the threaded hole onto the side of angle grinder.
3. Push spindle lock while, at the same time, rotating the outer flange until the spindle lock engages. Continue putting pressure onto the spindle lock.
4. Place the pin wrench into the holes on the outer flange. Rotate counter-clockwise to loosen the flange, then remove it.
5. Install the grinding wheel, then reinstall the outer flange. Tighten using the pin wrench, turning clockwise, and spindle lock.
6. Place 2-3 drops of lubricant into the male plug before each operation.
7. Blow air out in the line to remove excess material or moisture. Connect the tool to an air source by connecting the air hose to the air inlet. Set air pressure to 90psi.

OPERATION

 **WARNING** **Make sure the air angle grinder is properly lubricated. See “Lubrication” in the maintenance section.**

Important: Connecting the quick-change coupling directly to the tool is not recommended as the vibration may cause the connection to fail. Instead, add the leader hose and install any quick-change coupling further down the line.

1. Secure the workpiece onto a vice. Mark out the area you need to get cut.
2. Grip the tool with both hands so that the thumbs rest on top of the lever and safety stick. Make sure the cutting wheel is not in contact with the workpiece.
3. Gently push down on the safety lock to disengage the safety while applying pressure onto the lever.
Note: Speed of cutting is variable by the pressure acting on the lever. Use the appropriate speed as necessary for the workpiece.
4. Position the grinding wheel against the workpiece with a constant pressure. Wheel rotation is clockwise when viewed above the air tool.
5. Release the throttle to stop the air tool.
6. To reposition the disc guard, push in the tab towards the housing. Rotate the guard to the desired position, then release the tab. Continue rotating until the guard “clicks” into position.



SPECIFICATIONS

Diameter of Grinding Wheel	5"
Free Speed	10,00RPM
Air Consumption	6CFM@90PSI
Air Inlet	1/4"
Weight	1.9Kg
Exhaust	Front Exhaust

MAINTENANCE

AIR SUPPLY

Always use clean dry air as excessive moisture will lower the available torque and rust the interior moving parts. Make sure all hoses and fittings are of the recommended size and be sure the units are not used with less than or more than the recommended pressure at the tool! (90 PSI)

LUBRICATION

Proper lubrication of this air tool is critical to the operation and life of the unit. Units can be severely damaged or have excessive wear placed on working parts if not lubricated. We recommend the use of Marvel Mystery Oil which is available at most auto parts locations. The tool should be lubricated each time it is used. During daily prolonged use, lube heavily 3 or 4 times during the day.

MAINTENANCE

Daily – before putting the tool in operation, disconnect air hose and pour about one tablespoonful of Marvel Mystery Oil into tool air inlet. Blow out airline to clear it of accumulated dirt and moisture. Connect tool and operate tool to allow oil to be carried to the interior of the tool.

ACCESSORIES

Use only accessories that are recommended by the manufacturer for your model.

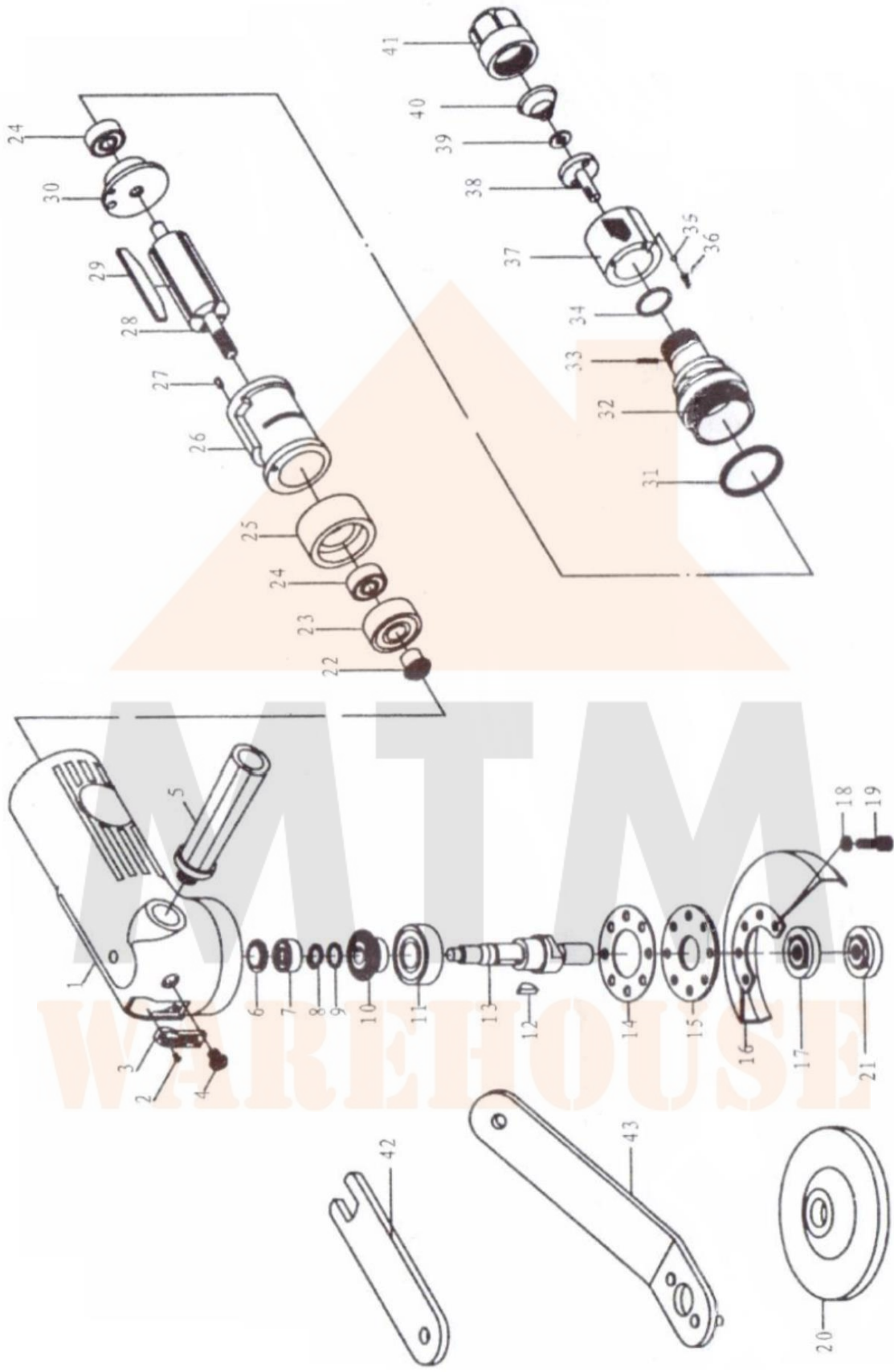
Accessories that may be suitable for one tool may become hazardous when used on another tool.

TROUBLESHOOTING

Most minor problems can be resolved quickly and easily using the troubleshooting table below.

PROBLEM	POSSIBLE CAUSE	SOLUTION
Unit will not work	Plugged air inlets Interior rusted	Remove fitting and clean Disassemble, clean, lube and reassemble
Unit lacks power	Low air supply Lack of lubrication	Check hoses, tanks, etc. Lube properly and retry
Internal parts	Dirty or gummed Components worn	Disassemble, clean, lube Disassemble, determine parts requiring replacement and repair

PARTS DIAGRAM



PARTS LIST

Ref.	Part #	Description	Q'ty	Ref.	Part #	Description	Q'ty
1	WFG-1218-01	Housing	1	23	GB/T276-1994 6201-2Z	Bearing	1
2	GB/T845-1985 ST2 9*8	Screw	2	24	GB/T276-1994 608-2Z	Bearing	2
3	WFG-1218-02	Muffle Cover	1	25	WFG-1218-14	Front Cylinder Head	1
4	GB/T818-2000 M6*6	Screw	1	26	WFG-1218-15	Cylinder	1
5	WFG-1218-02	Handle	1	27	GB/T879.2- 2000 3*6	Straight Pin	1
6	WFG-1218-02	Washer	1	28	WFG-1218-16	Rotor	1
7	GB/T276-1994 626-2Z	Bearing	1	29	WFG-1218-17	Blade	4
8	GB/T894.1- 1986 10	Snap Ring	1	30	WFG-1218-18	Back Cylinder Head	1
9	WFG-1218-28	Washer	1	31	GB/T3452.1- 1992 40*1.8	O-Ring	1
10	WFG-1218-05	Transmission Helical Gear	1	32	WFG-1219-01	Locking Ring	1
11	GB/T276-1994 6202 2Z	Bearing	1	33	WFG-1219-02	Pin	1
12	GB/T1099.1- 2003 3*5*13	Woodruff	1	34	GB/T3452.1- 1992 22.4*1.8	O-Ring	1
13	WFG-1218-06- 01	Driving Shaft	1	35	GB/T308-2002 D2.5	Steel Ball	1
14	WFG-1218-07	Sealing Gasket	1	36	WFG-1219-03	Spring	1
15	WFG-1218-08	Washer	1	37	WFG-1219-04	Switch Regulator	1
16	WFG-1218-09- 01	5" Shield	1	38	WFG-1219-05	Flow Regulator	1
17	WFG-1218-10- 01	Back washer	1	39	GB 97.1-85 4	Washer	1
18	GB/T93-1987 5	Spring Washer	4	40	WFG-1219-06	Taper Spring	1
19	GB/T70.1- 2000 M5*14	Screw	4	41	WFG-1219-07	Air Inlet Connector	1
20	WFG-1218-11- 01	5" Grinding Wheel	1	42	WFG-1218-26	Small Spanner	1
21	WFG-1218-12- 01	Front Washer	1	43	WFG-1218-27	Big Spanner	1
22	WFG-1218-13	Driving Helical Gear	1				