



**1/2" AIR IMPACT WRENCH (312Nm)
PNEUMATIC TOOL INSTRUCTION MANUAL**



THIS MANUAL CONTAINS IMPORTANT INFORMATION REGARDING SAFETY, OPERATION, MAINTENANCE AND STORAGE OF THIS PRODUCT. BEFORE USE, READ CAREFULLY AND UNDERSTAND ALL CAUTIONS, WARNINGS, INSTRUCTIONS AND PRODUCT LABELS. FAILURE TO DO SO COULD RESULT IN SERIOUS PERSONAL INJURY AND/OR PROPERTY DAMAGE.



TABLE OF CONTENTS

| | |
|--|---|
| CONGRATULATIONS! | 1 |
| INTENDED USE | 1 |
| SECTION ONE | |
| GENERAL SAFETY RULES | 2 |
| RECOGNISE SAFETY SYMBOLS, WORDS AND LABELS | 2 |
| IMPORTANT SAFEGUARDS | 3 |
| SERVICE | 3 |
| SECTION TWO | |
| SPECIFIC SAFETY RULES AND/OR SYMBOLS | 3 |
| IMPORTANT SAFETY RULES FOR AIR TOOLS | 4 |
| SECTION THREE | |
| FUNCTIONAL DESCRIPTION | 4 |
| ASSEMBLY | 5 |
| OPERATION | 5 |
| SECTION FOUR | |
| SPECIFICATIONS | 6 |
| MAINTENANCE | 6 |
| ACCESSORIES | 6 |
| TROUBLESHOOTING | 6 |
| PARTS DIAGRAM | 7 |
| PARTS LIST | 8 |

CONGRATULATIONS!

Thanks for choosing this product. Our aim is to provide you with quality products at an affordable price, and we want you to be totally satisfied with your product and our Customer Service. Properly cared for, this tool will give you many years of satisfaction.

INTENDED USE

This tool is intended for consumer use only

GENERAL SAFETY RULES

 **WARNING** **READ AND UNDERSTAND ALL INSTRUCTIONS.** Failure to follow all instructions listed may result in serious personal injury.

SAVE THESE INSTRUCTIONS FOR FUTURE REFERENCE.

RECOGNISE SAFETY SYMBOLS, WORDS AND LABELS

The safety instructions provided in this manual are not intended to cover all possible conditions and practices that may occur when operating, maintaining and cleaning tools.

Always use common sense and pay particular attention to all the **DANGER, WARNING, CAUTION** and **NOTE** statements of this manual.



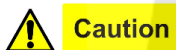
This is the safety alert symbol. It is used to alert you to potential personal injury hazards. Obey all safety messages that follow this symbol to avoid possible injury or death.



DANGER indicates an imminently hazardous situation which, if not avoided, will result in death or serious injury.



WARNING indicates a potentially hazardous situation which, if not avoided, could result in death or serious injury.



CAUTION indicates a potentially hazardous situation which, if not avoided, may result in minor or moderate injury.



CAUTION used without the safety alert symbol indicates a potentially hazardous situation which, if not avoided, may result in property damage.



NOTE provides additional information that is useful for proper use and maintenance of this tool. If a

NOTE is indicated make sure it is fully understood.



IMPORTANT SAFEGUARDS

⚠ DANGER

WARNING: Some dust created by power sanding, sawing, grinding, drilling and other construction activities contains chemicals known to the State of California to cause cancer, birth defects or other reproductive harm.

Some examples of these chemicals are:

- Lead from lead-based paints.
- Crystalline silica from bricks and cement and other masonry products, and arsenic and chromium from chemically-treated lumber.

Your risk from these exposures varies, depending on how often you do this type of work. To reduce your exposure to these chemicals: work in a well ventilated area, and work with approved safety equipment, such as dust masks that are specially designed to filter out microscopic particles.

SERVICE

⚠ Caution

Tool service must be performed only by qualified repair personnel. Service or maintenance by unqualified personnel could result in a risk of injury.

When servicing a tool, use only identical replacement parts. Follow instructions in the Maintenance section of this manual. Use of unauthorized parts or failure to follow Maintenance Instructions may create a risk of shock or injury.

SPECIFIC SAFETY RULES AND/OR SYMBOLS

⚠ Caution

Maximum operating pressure is 90 PSI. Never use higher air pressure to increase the output of the Air Impact Wrench. Overloading will drastically shorten the life of all internal parts.

Disconnect Air Impact Wrench from power air supply before servicing or changing accessories.

IMPORTANT SAFETY RULES FOR AIR TOOLS



Caution

BEFORE OPERATING YOUR AIR TOOL, READ THE FOLLOWING INFORMATION:

Always inspect, maintain and operate in accordance with ANSI safety code for portable air tools (ANSI B186.1) and other local safety codes and regulations.

Do not operate this tool over 90 PSI air pressure at the tool.

Always wear safety goggles when operating this tool.

Always disconnect this tool from the air supply before installing, adjusting or removing any accessory in this tool, or before performing maintenance.

Always use a dust mask in dusty conditions.

User and bystanders must wear suitable hearing protection when this tool is in use.

Do not carry any air tool by the hose. Keep air hose away from heat and sharp objects.

Continuous use of vibrating air tools by susceptible users may cause damage to hands.

Always wear gloves and protective clothing to help prevent injury from flying particles.

Always lubricate and maintain tool in safe operating conditions.

FUNCTIONAL DESCRIPTION

CONTROLS AND COMPONENTS:

1. Oil inlet
2. Housing
3. Anvil
4. Direction pin
5. Trigger
6. Air regulator dial
7. Air inlet





ASSEMBLY

⚠️ WARNING

Always disconnect this tool from the air supply before installing, adjusting or removing any accessory in this tool, or before performing maintenance.

Failure to do so could result in injury.

Check the speed rating on all accessories. Accessories must never be run at a higher speed than they were designed to handle.

1. Remove protective cap from the air inlet. Mount male plug by hand into air inlet.
2. Push socket into the anvil until it clicks into position.
3. Push direction pin to select forward or reverse (F/R).
4. Push in and rotate the air regulator speed selector dial to the desirable speed.
5. Place 4-5 drops of lubricant into the male plug before each operation.
6. Blow air out in the line to remove clear out material or moisture. Connect the tool to an air source by connecting the air hose to the air inlet. Set air pressure to 90psi.

OPERATION

⚠️ WARNING Make sure that the impact wrench is properly lubricated. See “Lubrication” in the maintenance section. Make sure the nut or bolt is rated for the torque of the impact wrench.

To loosen the nut or bolt:

1. Select the reverse direction.
2. Place the appropriate socket over the nut or bolt, holding a firm grip, and place the other hand over the top of the housing. Slowly squeeze the trigger.

Important: DO NOT raise the air pressure above 90 psi. **If the tool’s setting is already at its maximum, do not continue using the tool to loosen the nut or bolt.** Look for an alternative method to loosen the nut.

3. Release the trigger to stop the impact wrench.

To Tighten the nut or bolt:

1. Install nut or bolt as tightly as possible by hand.
2. Select the forward direction.
3. Place the appropriate socket over the nut or bolt, holding a firm grip, and place the other hand over the top of the housing. Slowly squeeze the trigger.

Important: **If the nut or bolt will not get tighten on the maximum setting, do not continue using the tool to tighten the nut or bolt.** Look for an alternative method to tighten the nut or bolt.

4. Release the trigger to stop the impact wrench.

Note: DO NOT overtighten the fasteners. Fasteners with critical torque settings should always be fully tightened using a torque wrench.



SPECIFICATIONS

| | |
|--------------------------------|---------------------------|
| Bolt Capacity | 9/16" (14mm) |
| Air Inlet | 1/4" (6.35mm) |
| Free Speed | 7,000 ± 10%RPM |
| Average Air Consumption | 5CFM (141.58L/min) @90PSI |
| Max Torque | 312-M (230FT-LB) |
| Working Pressure | 90PSI |
| Weight | 2.20Kg |
| Air Exhaust | Front Exhaust |

MAINTENANCE

AIR SUPPLY

Always use clean dry air as excessive moisture will lower the available torque and rust the interior moving parts. Make sure all hoses and fittings are of the recommended size and be sure the units are not used with less than or more than the recommended pressure at the tool! (90 PSI)

LUBRICATION

Proper lubrication of this air tool is critical to the operation and life of the unit. Units can be severely damaged or have excessive wear placed on working parts if not lubricated. We recommend the use of Marvel Mystery Oil which is available at most auto parts locations. The tool should be lubricated each time it is used. During daily prolonged use, lube heavily 3 or 4 times during the day.

MAINTENANCE

Daily – before putting the tool in operation, disconnect air hose and pour about one tablespoonful of Marvel Mystery Oil into tool air inlet. Blow out airline to clear it of accumulated dirt and moisture. Connect tool and operate tool to allow oil to be carried to the interior of the tool.

ACCESSORIES

Use only accessories that are recommended by the manufacturer for your model.

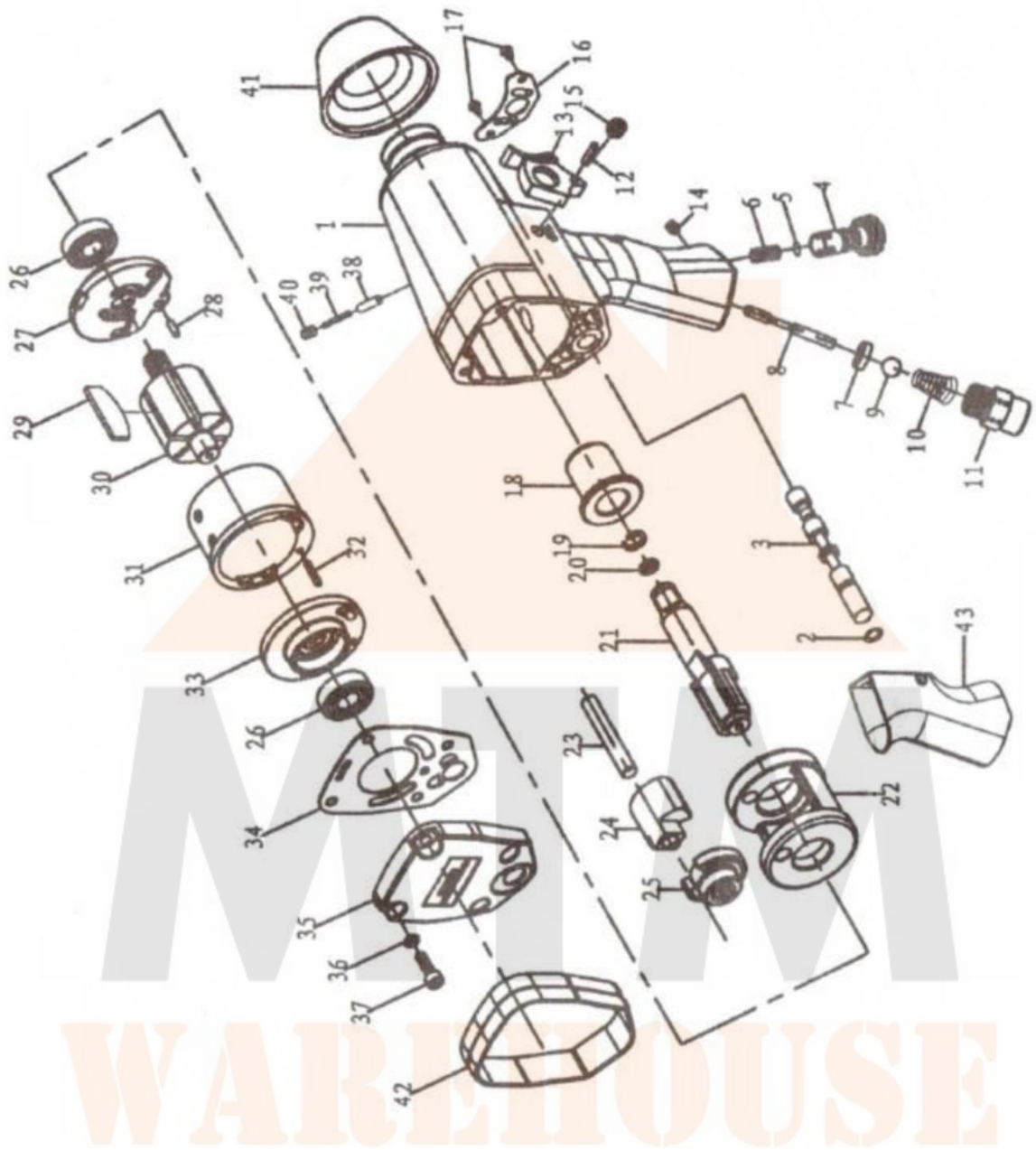
Accessories that may be suitable for one tool may become hazardous when used on another tool.

TROUBLESHOOTING

Most minor problems can be resolved quickly and easily using the troubleshooting table below.

| PROBLEM | POSSIBLE CAUSE | SOLUTION |
|---------------------------|---------------------------------------|---|
| Unit will not work | Plugged air inlets Interior rusted | Remove fitting and clean Disassemble, clean, lube and reassemble |
| Unit lacks power | Low air supply Lack of lubrication | Check hoses, tanks, etc. Lube properly and retry |
| Internal parts | Dirty or gummed Components worn | Disassemble, clean, lube Disassemble, determine parts requiring replacement and repair |

PARTS DIAGRAM



PARTS LIST

| Ref. | Part # | Description | Q'ty | Ref | Part # | Description | Q'ty |
|------|-----------------------|---------------------|------|-----|----------------------|---------------------|------|
| 1 | WFI-1070-01 | Housing | 1 | 23 | WFI-1070-15 | Pin | 1 |
| 2 | O-RING 6.4*1.9 | O-Ring | 1 | 24 | WFI-1070-16 | Hammer Dog | 1 |
| 3 | WFI-1070-02 | Reversal Regulator | 1 | 25 | WFI-1070-17 | Drive Cam | 1 |
| 4 | WFI-1070-03 | Flow Regulator | 1 | 26 | GB/T276-1994 6001-2Z | Bearing | 2 |
| 5 | JB/T6659-2007 8*2 | O-Ring | 1 | 27 | WFI-1070-18 | Front Cylinder Head | 1 |
| 6 | WFI-1070-04 | Regulator Spring | 1 | 28 | GB/T879.2-2000 3*10 | Straight Pin | 1 |
| 7 | WFI-1070-05 | Bushing | 1 | 29 | WFI-1070-19 | Blade | 6 |
| 8 | WFI-1070-06 | Pin | 1 | 30 | WFI-1070-20A | Rotor | 1 |
| 9 | GB/T308-2002 9.525 | Steel Ball | 1 | 31 | WFI-1070-21 | Cylinder | 1 |
| 10 | WFI-1070-07 | Taper Spring | 1 | 32 | GB/T879.2-2000 3*16 | Straight Pin | 1 |
| 11 | WFI-1070-08 | Air Inlet Connector | 1 | 33 | WFI-1070-22 | Back Cylinder Head | 1 |
| 12 | GB/T879.2-200 3*14 | Straight Pin | 1 | 34 | WFI-1070-23 | Sealing Gasket | 1 |
| 13 | WFI-1070-09 | Trigger | 1 | 35 | WFI-1070-24 | Real Cover | 1 |
| 14 | GB/T79-2000 M5*8 | Screw | 1 | 36 | GB/T93-1987 5 | Spring Gasket | 4 |
| 15 | GB/T77-2000 M8*6 | Screw | 1 | 37 | GB/T70.1-2000 M5*16 | Screw | 4 |
| 16 | WFI-1070-10 | Steel Disc Cover | 1 | 38 | WFI-1070-25 | Pin | 1 |
| 17 | Screw ST3.2*6 | Screw | 2 | 39 | WFI-1070-26 | Spring | 1 |
| 18 | WFI-1070-11 | Oily Bushing | 1 | 40 | GB/T70.1-2000 M5*6 | Screw | 1 |
| 19 | WFI-1070-12 | Anti-off Circle | 1 | 41 | WFI-1070-27 | Front Jacket | 1 |
| 20 | GB/T3452.1-1992 6*1.8 | O-Ring | 1 | 42 | WFI-1070-28 | Back Jacket | 1 |
| 21 | WFI-1070-13A | Drive Shaft | 1 | 43 | WFI-1070-39 | Handle Jacket | 1 |
| 22 | WFI-1070-14 | Hammer Cage | | | | | |