



1/2" AIR IMPACT WRENCH (TWIN HAMMER) PNEUMATIC TOOL INSTRUCTION MANUAL



THIS MANUAL CONTAINS IMPORTANT INFORMATION REGARDING SAFETY, OPERATION, MAINTENANCE AND STORAGE OF THIS PRODUCT. BEFORE USE, READ CAREFULLY AND UNDERSTAND ALL CAUTIONS, WARNINGS, INSTRUCTIONS AND PRODUCT LABELS. FAILURE TO DO SO COULD RESULT IN SERIOUS PERSONAL INJURY AND/OR PROPERTY DAMAGE.



TABLE OF CONTENTS

CONGRATULATIONS!.....	1
INTENDED USE.....	1
SECTION ONE	
GENERAL SAFETY RULES.....	2
RECOGNISE SAFETY SYMBOLS, WORDS AND LABELS.....	2
IMPORTANT SAFEGUARDS.....	3
SERVICE.....	3
SECTION TWO	
SPECIFIC SAFETY RULES AND/OR SYMBOLS.....	3
IMPORTANT SAFETY RULES FOR AIR TOOLS.....	4
SECTION THREE	
FUNCTIONAL DESCRIPTION.....	4
ASSEMBLY	5
OPERATION.....	5
SECTION FOUR	
SPECIFICATIONS.....	6
MAINTENANCE.....	6
ACCESSORIES.....	6
TROUBLESHOOTING.....	6
PARTS DIAGRAM.....	7
PARTS LIST.....	8

CONGRATULATIONS!

Thanks for choosing this product. Our aim is to provide you with quality products at an affordable price, and we want you to be totally satisfied with your product and our Customer Service. Properly cared for, this tool will give you many years of satisfaction.

INTENDED USE

This tool is intended for consumer use only

GENERAL SAFETY RULES

 **WARNING** **READ AND UNDERSTAND ALL INSTRUCTIONS.** Failure to follow all instructions listed may result in serious personal injury.

SAVE THESE INSTRUCTIONS FOR FUTURE REFERENCE.

RECOGNISE SAFETY SYMBOLS, WORDS AND LABELS

The safety instructions provided in this manual are not intended to cover all possible conditions and practices that may occur when operating, maintaining and cleaning tools.

Always use common sense and pay particular attention to all the **DANGER, WARNING, CAUTION** and **NOTE** statements of this manual.



This is the safety alert symbol. It is used to alert you to potential personal injury hazards. Obey all safety messages that follow this symbol to avoid possible injury or death.

DANGER

DANGER indicates an imminently hazardous situation which, if not avoided, will result in death or serious injury.

WARNING

WARNING indicates a potentially hazardous situation which, if not avoided, could result in death or serious injury.

Caution

CAUTION indicates a potentially hazardous situation which, if not avoided, may result in minor or moderate injury.

Caution

CAUTION used without the safety alert symbol indicates a potentially hazardous situation which, if not avoided, may result in property damage.

NOTE

NOTE provides additional information that is useful for proper use and maintenance of this tool. If a

NOTE is indicated make sure it is fully understood.



IMPORTANT SAFEGUARDS

⚠ DANGER

WARNING: Some dust created by power sanding, sawing, grinding, drilling and other construction activities contains chemicals known to the State of California to cause cancer, birth defects or other reproductive harm.

Some examples of these chemicals are:

- Lead from lead-based paints.
- Crystalline silica from bricks and cement and other masonry products, and arsenic and chromium from chemically-treated lumber.

Your risk from these exposures varies, depending on how often you do this type of work. To reduce your exposure to these chemicals: work in a well ventilated area, and work with approved safety equipment, such as dust masks that are specially designed to filter out microscopic particles.

SERVICE

⚠ Caution

Tool service must be performed only by qualified repair personnel. Service or maintenance by unqualified personnel could result in a risk of injury.

When servicing a tool, use only identical replacement parts. Follow instructions in the Maintenance section of this manual. Use of unauthorized parts or failure to follow Maintenance Instructions may create a risk of shock or injury.

SPECIFIC SAFETY RULES AND/OR SYMBOLS

⚠ Caution

Maximum operating pressure is 90 PSI. Never use higher air pressure to increase the output of the Air Impact Wrench. Overloading will drastically shorten the life of all internal parts.

Disconnect Air Impact Wrench from power air supply before servicing or changing accessories.

IMPORTANT SAFETY RULES FOR AIR TOOLS



BEFORE OPERATING YOUR AIR TOOL, READ THE FOLLOWING INFORMATION:

Always inspect, maintain and operate in accordance with ANSI safety code for portable air tools (ANSI B186.1) and other local safety codes and regulations.

Do not operate this tool over 90 PSI air pressure at the tool.

Always wear safety goggles when operating this tool.

Always disconnect this tool from the air supply before installing, adjusting or removing any accessory in this tool, or before performing maintenance.

Always use a dust mask in dusty conditions.

User and bystanders must wear suitable hearing protection when this tool is in use.

Do not carry any air tool by the hose. Keep air hose away from heat and sharp objects.

Continuous use of vibrating air tools by susceptible users may cause damage to hands.

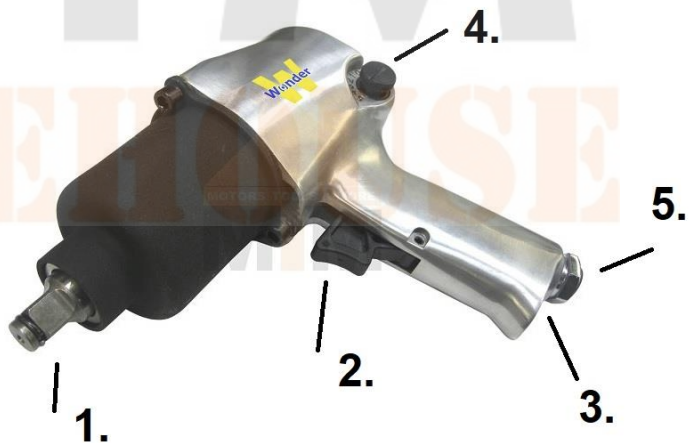
Always wear gloves and protective clothing to help prevent injury from flying particles.

Always lubricate and maintain tool in safe operating conditions.

FUNCTIONAL DESCRIPTION

CONTROLS AND COMPONENTS:

1. Anvil
2. Trigger
3. Exhaust
4. Forward/Reverse Switch
5. Air Inlet





ASSEMBLY

WARNING


Always disconnect this tool from the air supply before installing, adjusting or removing any accessory in this tool, or before performing maintenance.

Failure to do so could result in injury.

Check the speed rating on all accessories. Accessories must never be run at a higher speed than they were designed to handle.

1. Remove protective cap from the air inlet. Mount male plug by hand into air inlet.
2. Push socket into the anvil until it clicks into position.
3. Push direction pin to select forward or reverse.
4. Push in and rotate the air regulator speed selector dial to the desirable speed.
5. Place 2-3 drops of lubricant into the male plug before each operation.
6. Blow air out in the line to remove clear out material or moisture. Connect the tool to an air source by connecting the air hose to the air inlet. Set air pressure to 90psi.

OPERATION

 **WARNING** **Make sure that the impact wrench is properly lubricated. See “Lubrication” in the maintenance section. Make sure the nut or bolt is rated for the torque of the impact wrench.**

To loosen the nut or bolt:

1. Select the reverse direction.
2. Place the appropriate socket over the nut or bolt, holding a firm grip, and place the other hand over the top of the housing. Slowly squeeze the trigger.

Important: if the tool cannot loosen the nut or bolt, DO NOT raise the air pressure above 90 psi. If the tool's air regulator setting is in low setting, re-adjust and retry on a higher setting. **If the tool's setting is already at its maximum, do not continue using the tool to loosen the nut or bolt.** Look for an alternative method to loosen the nut

3. Release the trigger to stop the impact wrench.

To Tighten the nut or bolt:

1. Install nut or bolt as tightly as possible by hand.
2. Select the forward direction.
3. Place the appropriate socket over the nut or bolt, holding a firm grip, and place the other hand over the top of the housing. Slowly squeeze the trigger.

Important: **If the nut or bolt will not get tighten on the maximum setting, do not continue using the tool to tighten the nut or bolt.** Look for an alternative method to tighten the nut or bolt.

4. Release the trigger to stop the impact wrench.



SPECIFICATIONS

Bolt Capacity	1/2"
Free Speed	7,500±10%RPM
Average Air Consumption	4CFM (113L/min) @90PSI
Max Torque	680N-M (500FT-LB)
Recommended Hose Size	3/8" (I.D)
Working Pressure	90PSI (6.2Kg/cm ³)
Weight	2.42Kg
Air Exhaust	Handle Exhaust

MAINTENANCE

AIR SUPPLY

Always use clean dry air as excessive moisture will lower the available torque and rust the interior moving parts. Make sure all hoses and fittings are of the recommended size and be sure the units are not used with less than or more than the recommended pressure at the tool! (90 PSI)

LUBRICATION

Proper lubrication of this air tool is critical to the operation and life of the unit. Units can be severely damaged or have excessive wear placed on working parts if not lubricated. We recommend the use of Marvel Mystery Oil which is available at most auto parts locations. The tool should be lubricated each time it is used. During daily prolonged use, lube heavily 3 or 4 times during the day.

MAINTENANCE

Daily – before putting the tool in operation, disconnect air hose and pour about one tablespoonful of Marvel Mystery Oil into tool air inlet. Blow out airline to clear it of accumulated dirt and moisture. Connect tool and operate tool to allow oil to be carried to the interior of the tool.

ACCESSORIES

Use only accessories that are recommended by the manufacturer for your model.

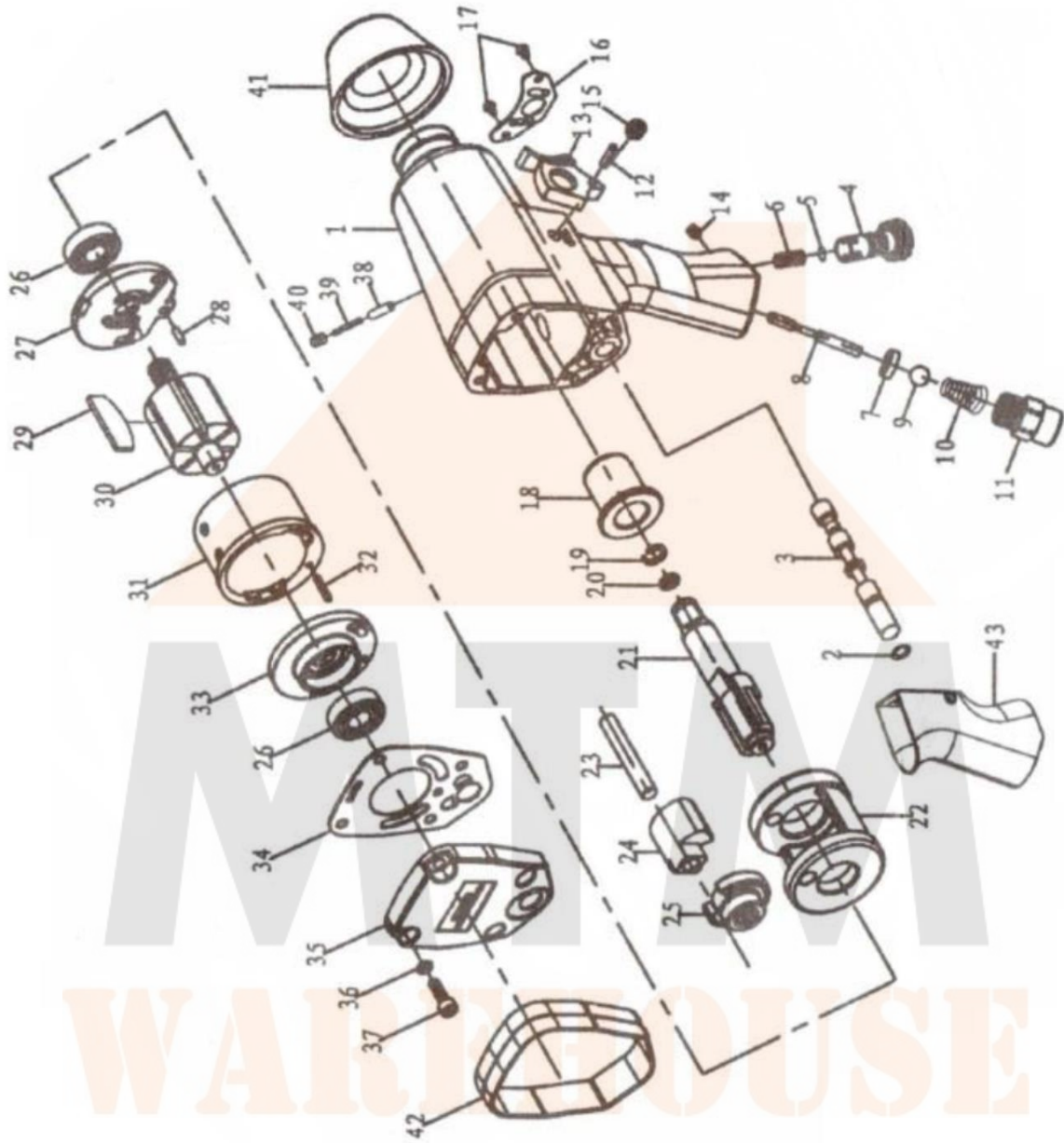
Accessories that may be suitable for one tool may become hazardous when used on another tool.

TROUBLESHOOTING

Most minor problems can be resolved quickly and easily using the troubleshooting table below.

PROBLEM	POSSIBLE CAUSE	SOLUTION
Unit will not work	Plugged air inlets Interior rusted	Remove fitting and clean Disassemble, clean, lube and reassemble
Unit lacks power	Low air supply Lack of lubrication	Check hoses, tanks, etc. Lube properly and retry
Internal parts	Dirty or gummed Components worn	Disassemble, clean, lube Disassemble, determine parts requiring replacement and repair

PARTS DIAGRAM



PARTS LIST

Ref.	Part #	Description	Q'ty	Ref.	Part #	Description	Q'ty
1	WFI-3070-01	Housing	1	24	JB/T6659-1993 28*1.5	O-Ring	1
2	WFI-3070-02	Front Housing	1	25	WFI-3070-10	Adjustment Knob	1
3	WFI-2070-30	Oily Bushing	1	26	WFI-3070-11	Spring	1
4	WFI-1070-12	Anti-off Circle	1	27	GB/T308-2002 2.5	Steel Ball	1
5	JB/T6659-199.3 6*1.8	O-Ring	1	28	WFI-3070-12	Sealing Gasket	1
6	WFI-2070-27	Driving Shaft	1	29	WFI-3070-13	Rear Gasket	1
7	WFI-2070-26	Pin	2	30	WFI-3070-14	Cap	1
8	WFI-2070-25	Hammer Dog	2	31	GB/T2672 M5*92	Screw	4
9	WFI-2070-24	Hammer Cage	1	32	WFI-3070-15	Bushing	1
10	WFI-2070-23	Gasket	1	33	WFI-3070-16	Screw	1
11	WFI-3070-03	Front Gasket	1	34	WFI-3071-04	Eye Ring	1
12	Bearing R8-2Z	Bearing	1	35	WFI-5070-08	Valve Pole	1
13	WFI-3070-04	Front Cylinder Head	1	36	WFI-3071-06	Valve	1
14	GB/T879.1- 2000 3*10	Straight Pin	1	37	WFI-3071-07	Spring	1
15	WFI-3070-05	Gasket	1	38	WFI-3070-17	Muffle Cover	1
16	WFI-2070-18	Blade	6	39	WFI-3070-18	Air Inlet Setting	1
17	WFI-3070-06	Rotor	1	40	JB/T6659-1993 10*2	O-Ring	2
18	WFI-3070-07	Cylinder	1	41	WFI-3070-19	Air Inlet Connector	1
19	GB/T308-2002 2	Steel Ball	2	42	WFI-3070-20	Trigger	1
20	GB/T276-1994 6001-2Z	Bearing	1	43	WFI-3070-21	Pin	1
21	GB 894.1-86 12	Retainer Ring	1	44	JB/T6659-1993 3*1	O-Ring	1
22	WFI-3070-08	Sealing Gasket	1	45	GB/T879.1-2000 2.5*24	Straight Pin	1
23	WFI-3070-09	Reversal Regulator Base	1	46	GB/T895.2-19 86_12.5	Retainer Ring	1