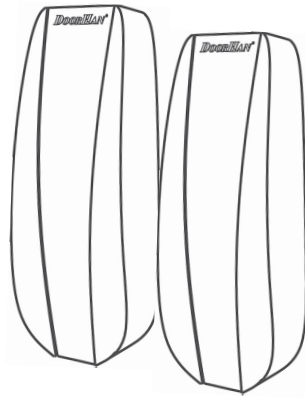


# DOORHAN®

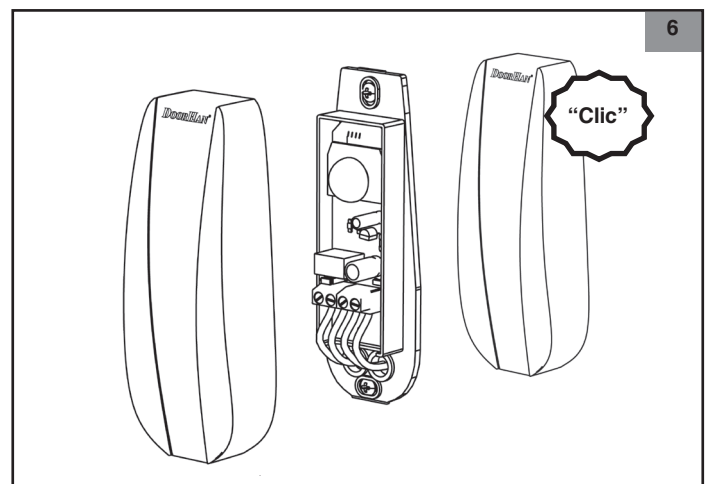
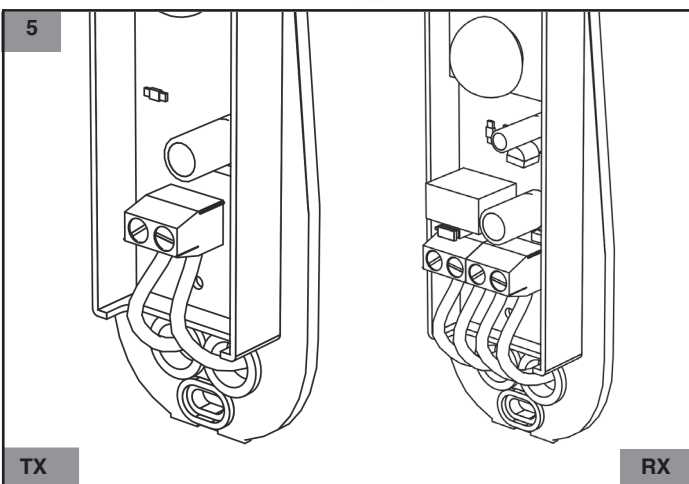
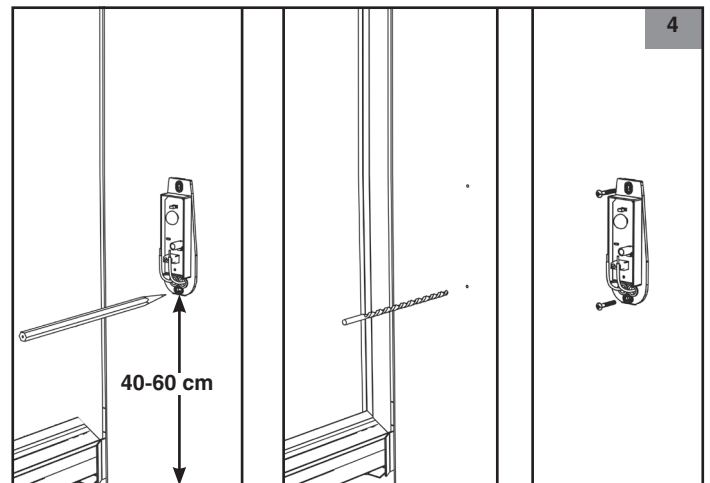
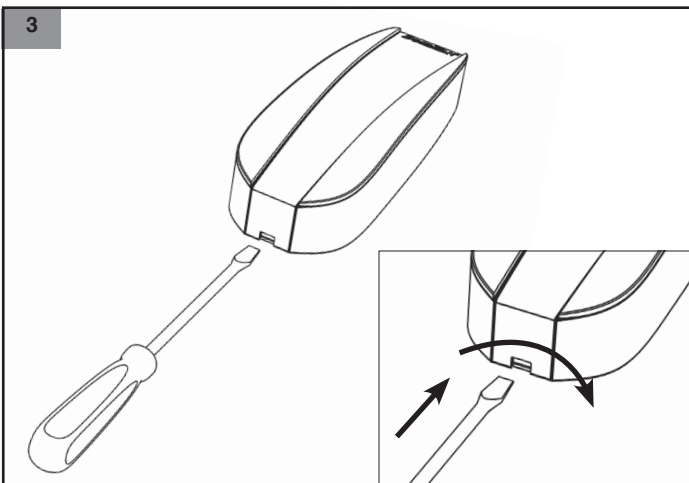
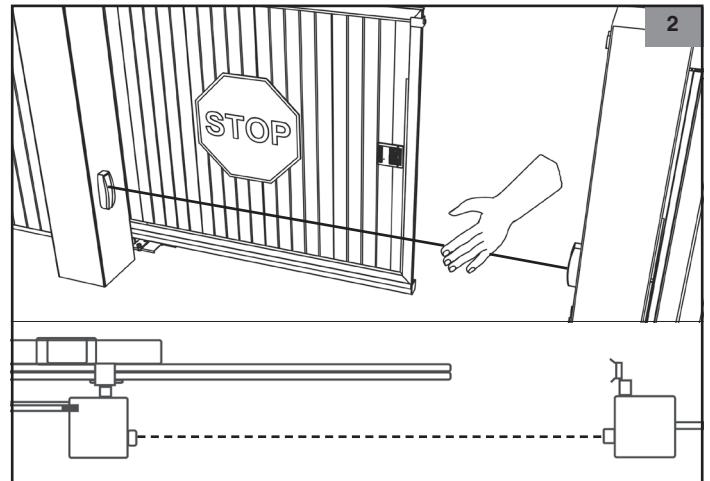
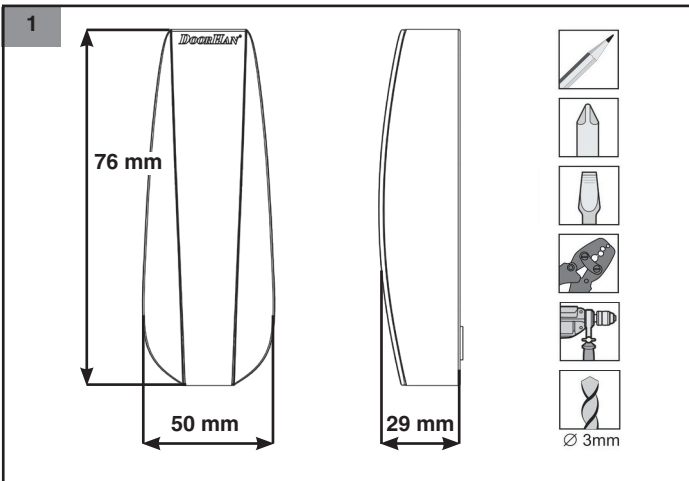
## PHOTOCELL-N



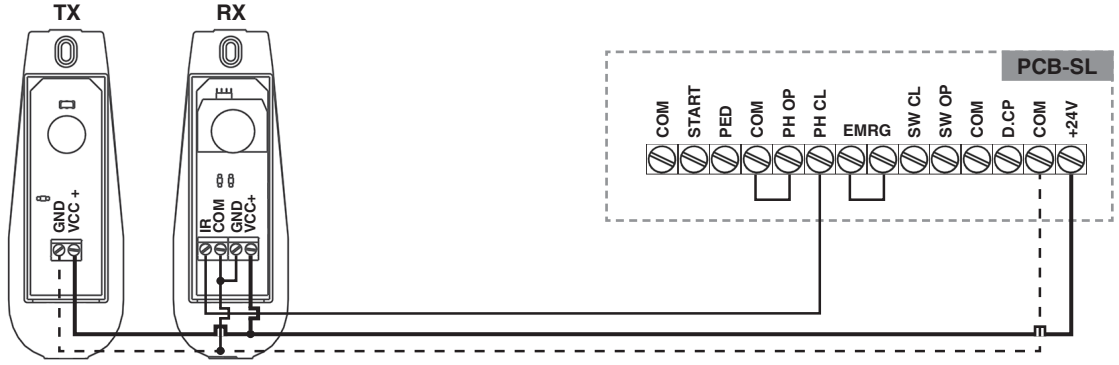
MANUAL

Technology	Infrared	TX
Working distance*	≤ 25 m	
Supply voltage	12/24 V DC	RX
Wave length	940 nm	
Current consumption	RX 13 mA TX 40 mA	
Angle tolerance	< ±10°	
Operating temperature	-20 C°...+70 C°	
Relay output	1 A max 30 V	

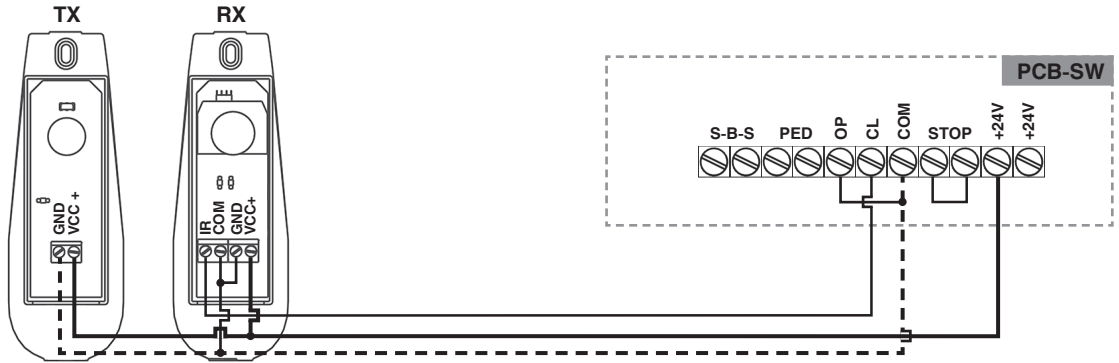
\* - 25 m supposed for stable work the distance can be reduced by 30% with bad weather conditions: fog, rain, dust.



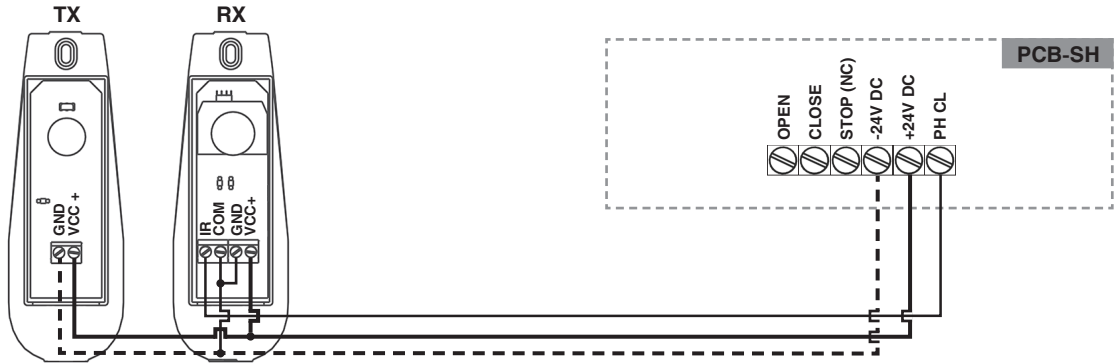
BARRIER N, BARRIER PRO, SLIDING 300/800/1300/2100



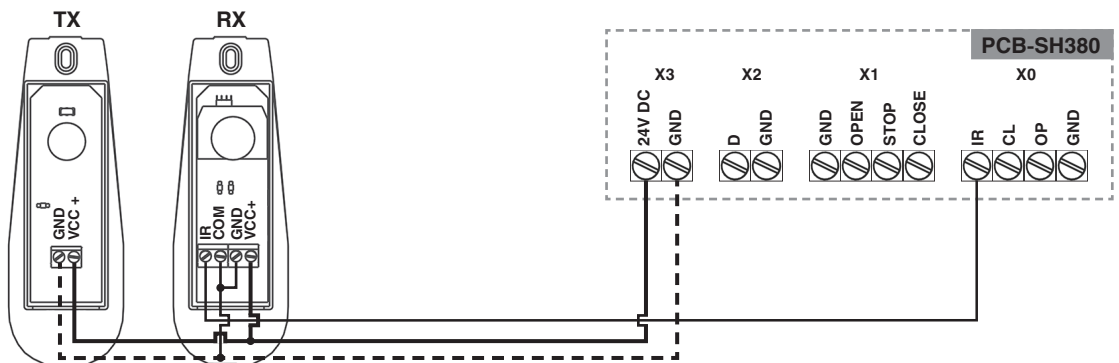
SWING 2500/3000/5000, ARM 320



SHAFT 30/50



SHAFT 60/120



SECTIONAL 500/500 PRO/750/FAST 750/1000/1200

