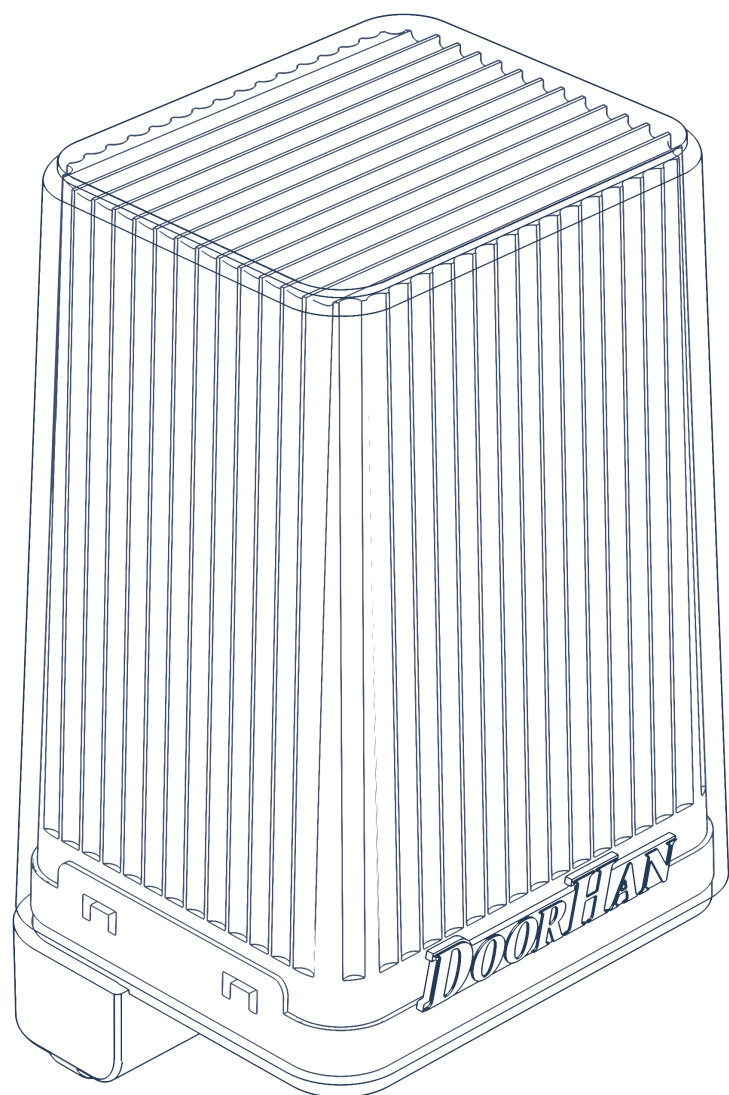


DOORHAN[®]

Signal Lamp
LAMP-PRO Series



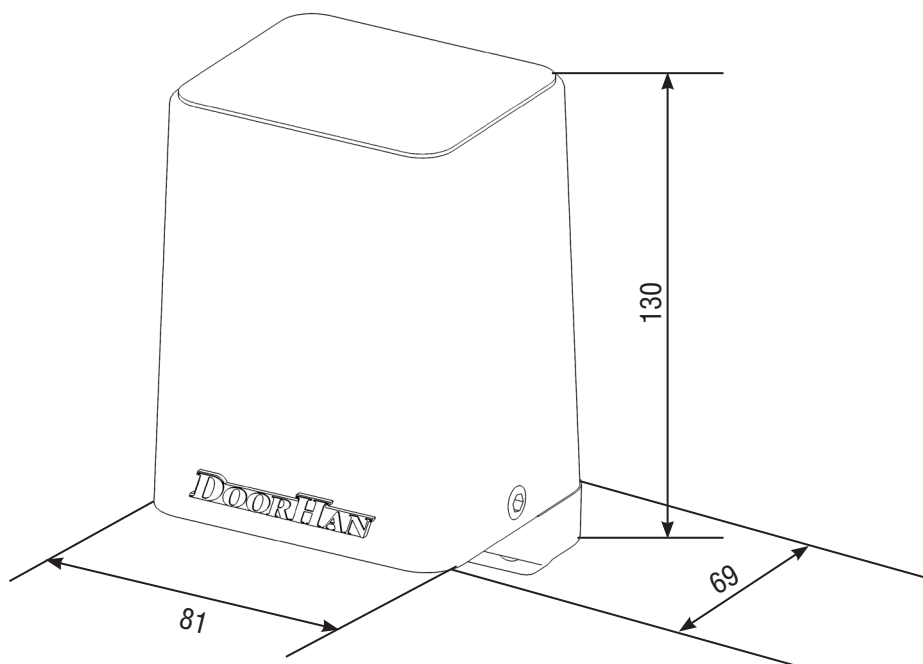
Operation and Installation Manual

© DoorHan, 03.2019

Signal lamp of LAMP-PRO series is designed for use as a warning device signalling about the beginning of an automatic door movement and lighting during the whole cycle of door opening or closing.

1. SPECIFICATIONS

Parameters	Value
Supply voltage	12...250 V
Power consumption	3 W
IP Class	54
Operating temperature	-40...+50 °C

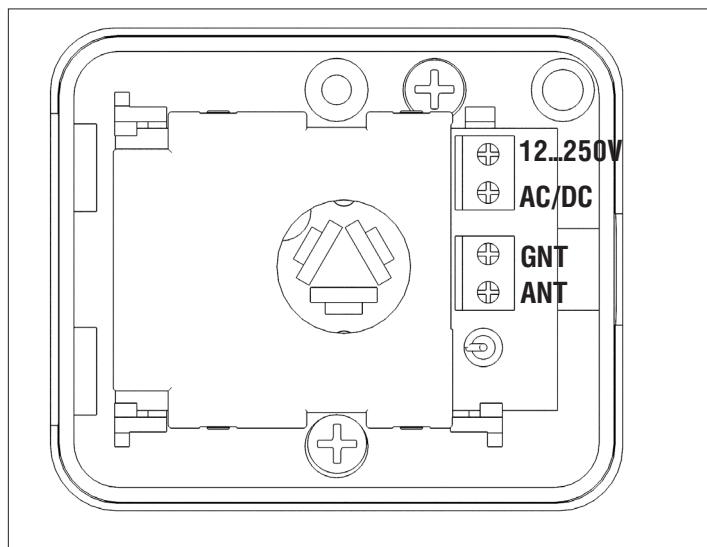
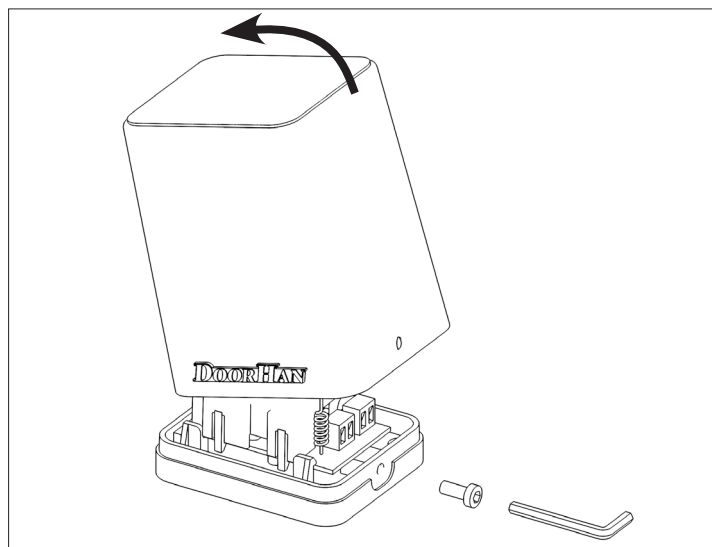


2. INSTALLATION



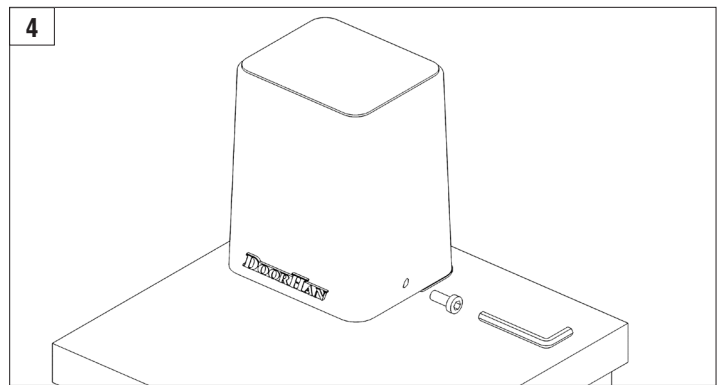
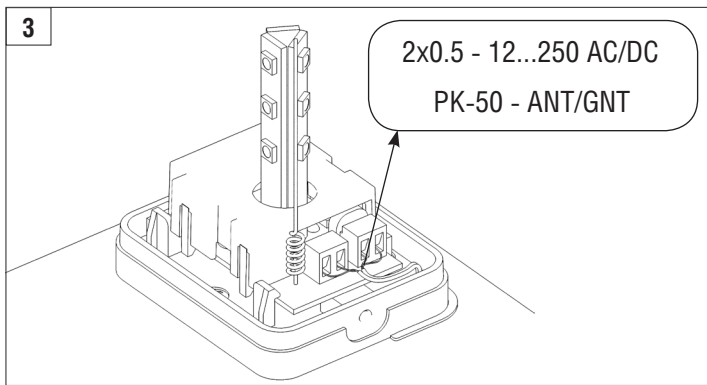
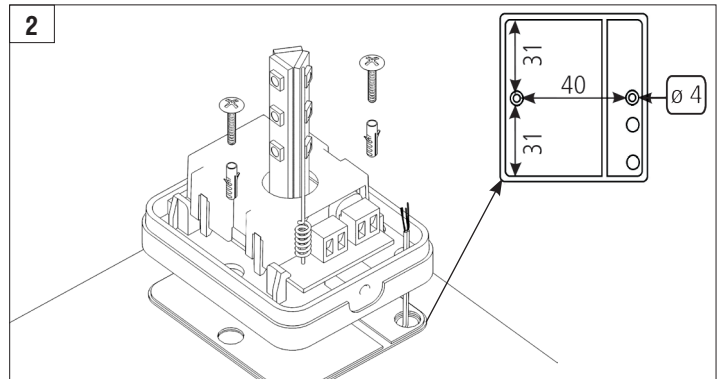
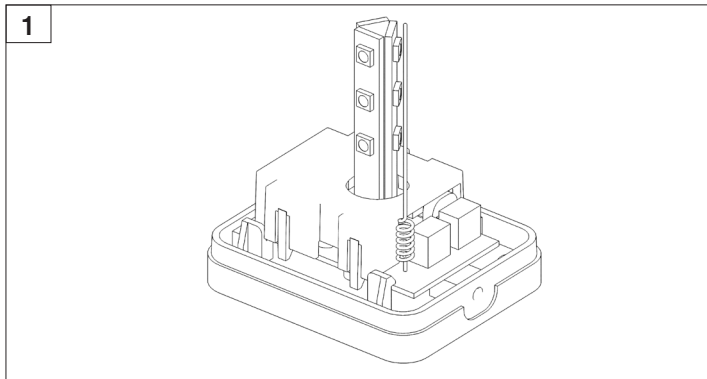
ATTENTION!

Attention! Improper installation or use of the device can lead to various injury.



There are two mounting options for LAMP-PRO lamp:

First type of installation:



Second type of installation:

