



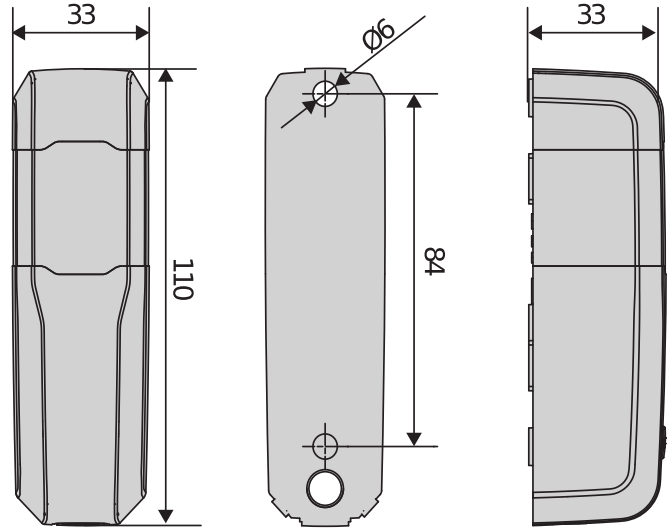
Be ahead



COMPACTA A20-180

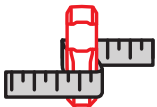


Photocells for automatic gates and safety devices



Pair of adjustable photocells, designed to offer a high level of installation flexibility thanks to their compact size, the possibility to adjust the head by 90° horizontally, left and right (180° in total), and a wide input power supply range 12-33Vac and 15-35Vdc. 20 metre nominal range.

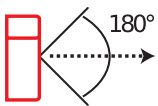
Relevant features



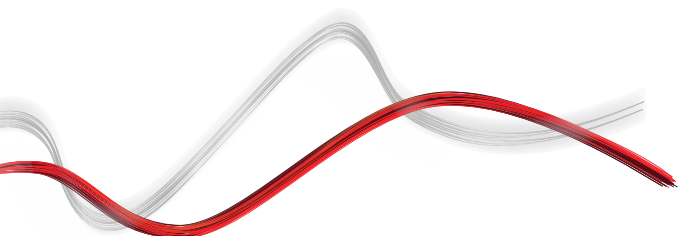
Design and compactness: COMPACTA was designed to optimise the space by reducing its dimensions as much as possible in order to be well integrated in the various types of installation. Everything features BFT's design language, with characterising shapes and geometry that blend elegance, function and practicality.



Flexibility: COMPACTA may use a wide input power supply range, 12-33Vac 50/60Hz and 15-35Vdc, making it usable in a vast number of installations. In addition, it may be wired to all the BFT control boards with test.



Maximum installation simplicity: the possibility of adjusting the infra-red head up to 90° both left and right (180° in total) means these photocells can be installed on walls or posts that are not aligned, thus saving time and obtaining a clean and seamless installation. On the vertical plane, optics are fixed, although the geometry allows recovering slight misalignments up to +/- 5°. Finally, once the correct angle of the optics is found, the cover locks to the base with a simple click.



Photocells for automatic gates and safety devices

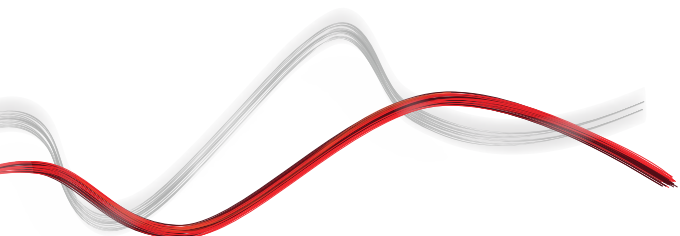
COMPACTA A20-180

Code	Name	Description
P111782	COMPACTA A20-180	Pair of photocells adjustable 180° horizontally. 20 metre range. 12-33 VAC/15-35 VDC power supply.

	COMPACTA A20-180
Supply voltage	12 - 33Vac / 15 - 35Vdc
Nominal Range	20 m
Horiz. adjustment	180 °
Degree of protection (IP)	44

RECOMMENDED ACCESSORIES

	P903028 - PHP A Pair of aluminium posts for THEA, DESME and COMPACTA series photocells Height 522 mm		P903033 - ADA PHP A Pair of adapters for the installation of THEA, DESME and COMPACTA photocells on PHP posts
	P903032 - ADA CC A Pair of adapters for the installation of THEA, DESME and COMPACTA photocells on CC posts		P903031 - BMC A Support for mounting COMPACTA series photocells on wall and on Giotto, Moovi and Michelangelo barriers





Photocells for automatic gates and safety devices

What is U-Link?

The technology that gives you more power

U-Link, Universal Link, is an exclusive BFT platform that can be used to create high-tech ecosystems. In Home Access Automation, it can be used to communicate with all home access automation devices of any brand. This saves you time and allows you to control everything easily and without any worries.

It is intuitive

Easy to install and to use

It is scalable

You can add as many devices as you want

It is flexible

It allows you to create groups of interconnected products

It is practical

Works with or without an internet connection

It is functional

Its settings can be controlled remotely using dedicated applications

Photocells for automatic gates and safety devices

Everything on one screen: find out more about this amazing technology

A world-exclusive platform that **can be used to create high-tech ecosystems** offering a vast range of solutions for many different sectors.

This proprietary platform which is a key feature of BFT products, thanks to the B-EBA cards and the Clonix U-Link receiver, is suitable for any protocol or product for access automation (including BFT products non-BFT ones and older versions) and it can be used in a variety of different sectors. This means any device becomes a smart device which can be interconnected with other systems, using a language that is becoming universal.



U-Control HOME

U-Control HOME is the application that allows you to open the gate to your home and to remotely control BFT automations using your own smartphone. The iOS version can be used to automatically open the automation when you are close to it.



U-Base 2

A software package for installation, performing maintenance and identifying any faults in the U-Link compatible operators, easily and conveniently.



U-SDK

U-SDK is the application which allows BFT automations to be made compatible and easily integrated with a BMS network.



Clonix U-Link

Connect non-native U-Link and non-BFT products to U-Link systems.

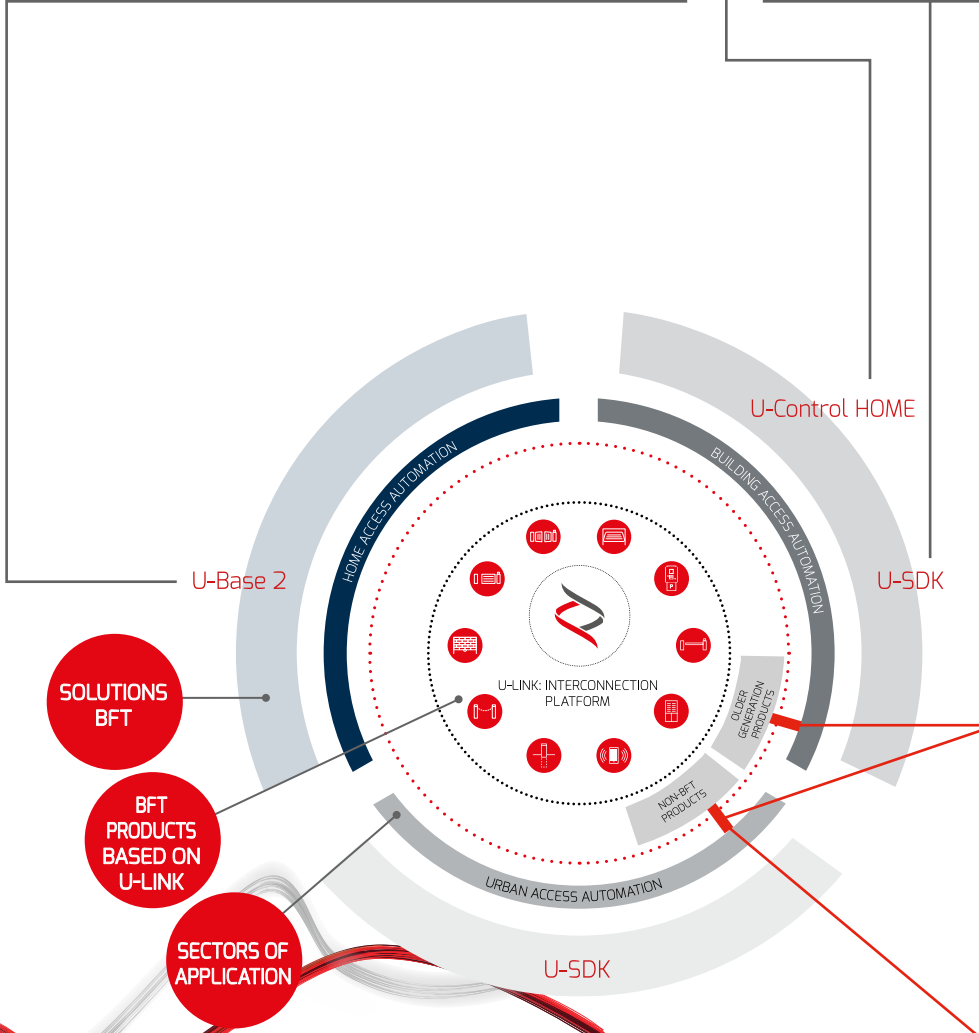
Is it possible to connect non-native U-Link BFT operators or other brands of products to U-Link? Yes, thanks to the Clonix receivers. Accessories which accept no limits.



B-EBA

A direct link to your operators.

The B-EBA expansion cards make it possible to connect external devices such as PCs, smartphones and tablets to a BFT operator and a Clonix receiver or to connect multiple BFT products in a U-Link network. These accessories integrate with U-Link technology and with Bluetooth, Wifi, Z-Wave and TCP/IP protocols as well as with the RS485 serial interface. A device that demonstrates exactly what BFT means by interconnectivity.



SOLUTIONS BFT

BFT PRODUCTS BASED ON U-LINK

SECTORS OF APPLICATION



INFORMATION REGARDING THE PROTECTION OF THE INDUSTRIAL AND INTELLECTUAL PROPERTY RIGHTS OF BFT. BFT S.p.A. protects its industrial property by depositing trademarks, patents, models and designs. The intellectual property of BFT S.p.A. is protected by copyright law. BFT S.p.A. also protects its know-how by taking measures to protect the technical and commercial information inherent in its company and products. All the products in this catalogue are ORIGINAL BFT MODELS and only BFT S.p.A. is authorised to produce them and market them anywhere in the world. All the commercial names in this catalogue are owned by BFT S.p.A., and only BFT S.p.A. is authorised to use them in relation to the corresponding merchandise category. **FALSIFIERS WILL BE PROCEEDED AGAINST IN ACCORDANCE WITH BOTH CIVIL AND CRIMINAL LAW. THESE CONDITIONS NOT ONLY GUARANTEE THE INTELLECTUAL PROPERTY RIGHTS OF BFT, BUT ALSO PROTECT CUSTOMERS BY GUARANTEEING THAT THE PRODUCTS THEY ARE PURCHASING ARE ORIGINAL BFT PRODUCTS RESULTING FROM STUDIES AND DESIGNS WITHIN THE BFT COMPANY.**