

**Torque Limiter 178mm OD, Torque Range 11.8-58.1kgf~m TL178-1**

## **Torque Limiter 178mm-1 OD 11.8-58.1kgf~m**



**Torque Limiter 178mm OD, Torque Range 11.8-58.1kgf~m TL178-1**

Motors & More Torque Limiter has been designed to protect drive systems from overload. When too much torque is transmitted through a drive, the Torque Limiter automatically disengages when a predetermined torque level is reached.

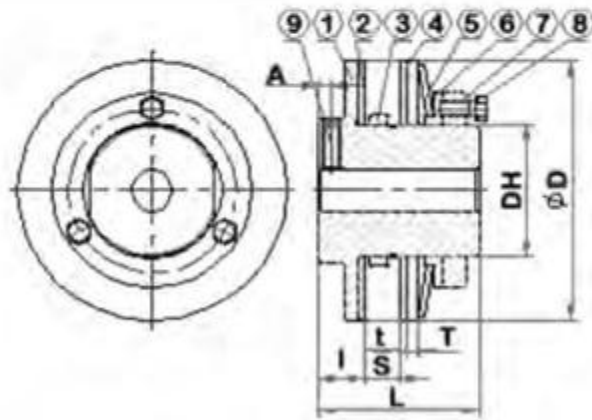
It is suitable in situations where there is excessive and unpredictable shock loads, overloads, jams. When the problem in the system is overcome or removed, the Torque Limiter automatically reengages, unlike other devices, such as those with shear pin mechanisms, which

reset.

limiters not only prevent damage to drive systems but also eliminates unnecessary downtime and resets. The Torque Limiter utilises spring loaded friction surfaces, the slip torque is a function of the spring force, this is as simple as tightening or loosening the appropriate nut.

To determine the required slip torque from the loading conditions or from the design strength of the machine, if the loading conditions of the machine are unknown, set the required slip torque of the torque limiter to be the torque that the motor produces on the shaft where the torque limiter is mounted. Choose a torque limiter that has enough torque range and bore range. Determine the proper bushing length and the thickness of the centre member to be inserted between the friction facings. Always choose a bushing which does not exceed the width of the centre member, shown as S Max in the dimensions.

Torque Range (kgf-m)	Plain Bore	Max Bore	Bush Length	OD of Bush		Bore for Centre Member		D	DH	L	L	T	t	S (Max)	A	C	Adjust. Nut	Adjust. Bolt
8 - 58.1	30	64	8	105	-0.036 -0.071	105	+0.054 0	178	95	98	24	7	3.2	29	6.5	-	M95 P1.5	M10 P1.25 3pcs
8 - 111			9.5															
Hub		3) Bushing			5) Disc Spring				7) Adjustment Nut				9) Set					
on Facing		4) Pressure Plate			6) Pilot Plate				8) Adjustment Bolt				10) Lock					



**RTL127 RTL178**

que Limiter 178mm-1

We do not deliver to PO Boxes. Please make sure you have a residential address in your details for us to send your order to.

[Local Pick up from our Sydney, Prestons Warehouse available.](#)

ing from a professional Business with many years experience in this market. DO NOT compare this product with others or even same prices. This is commercial quality. Limited Time Offer. QUALITY at the right PRICE. This is strong.



## Payment Methods Accepted



---

## Listing Details

By purchasing from any of our eBay listings you are entering into a contract governed by our terms & conditions below. Please read these terms and conditions before making your purchase.

Images are for demonstration purposes only. Product will match description but may vary from images shown. For any concerns about the product, please contact us before ordering.

Product description/price/stock levels is accurate to our knowledge. All errors or omissions are unintentional. If problems are encountered, please contact us.

---

## Payment

Payment is required within 5 days of sale. Payment can be made by Cash on pick-up (from our Warehouse), Paypal, credit card (over the phone). Items will not be shipped out unless payment has been made.

---

## Shipping/Delivery/Pick up

Check our shipping tab at the top of our listing for all freight costs and delivery times. Your order will be sent through one of our delivery partners: Toll, TNT, Couriers Please, E-Go, Go Logistics and Australia Post. The service used to deliver your order will be automatically selected. We assume no liability for postal delays or lost/damaged parcels, but we will assist the buyer to locate or to obtain a replacement.

Provide a valid street address for all deliveries. We do NOT deliver to PO Boxes, Parcel Lockers or Post Office addresses. We also require a contact number for all orders. Our operation hours for dispatch are Monday to Friday 9am to 2:30pm. In the unlikely case that you do not receive your order, please contact us to resolve this.

Local Pickup from our Sydney, Prestons Warehouse available.

---

## Warranty

Warranty details are as follows:

Garage door receivers have 3 months warranty

Garage door and gate motors have 12 months warranty

Other products have 6 months warranty

---

---

problem with the product, please contact us through eBay and include the original purchase information (i.e. your name, address, contact number)

not include damage caused by normal wear and tear, accidents, misuse, lack of maintenance, neglect, natural disaster, or other events caused by operating the equipment in a manner outside that described in the instructions. The warranty is considered void if the item is damaged or tampered with by a person(s) not authorised by us to provide service (with the exception of standard periodic maintenance). Accessories such as chains, carry bags, batteries, hoses, grinding discs, belts, cables, wheels, blades, tubs, pads, nets etc. are also not covered by general wear and tear.

If any fault is determined, the resolution we can offer may vary. To assist with a quick resolution, photos of the damaged part/issue are required for identification. We will repair or replace, at our discretion, any unit determined to be within the warranty period. Where necessary, the unit may be returned to repair the fault/issue.

We are not liable for all shipping costs associated with any warranty claim.

A warranty must first be authorised in writing by our Customer Service Team and given a Return Authorisation Number (RAN). We do not accept the return of any item/s without a Return Authorisation Number (RAN).

If authorised, it is the buyer's responsibility to ensure the product is packaged securely to prevent any damage during the return process. We will accept the resolution to be offered, which may include repairs, replacement items or store credit at our discretion.

For warranty claims, the outcome of the inspection should take no longer than 10 business days from the date the item is received by our service team (lead times may vary).

Claims will not be accepted in cases where the buyer has contributed to the failure, or been misleading in their description of their issue. If the freight costs were incurred by us to return your item for inspection, reimbursement to us may be required prior to releasing the item to be returned to the buyer at the buyer's expense. Freight cost not to exceed original freight cost. Payment is to be made to us within 14 days of warranty rejection. Storage fees to apply beyond 7 days at 5% per week of the original product cost until the credit expires. Where repairs and/or postage, we will be entitled to hold onto the item until payment is made.

### **Returns/Exchanges**

Returns and exchanges must be made within 7 days of the delivery date. After 7 days, any claims of delivery errors or requests for returns or exchanges will not be accepted.

Items may be returned/exchanged provided that the item(s) are returned in an unused, clean, sellable condition with original packaging and labels.

If the item is damaged in transit, or is not returned as noted above, a revised refund amount may be required.

Refunds will be refunded less the delivery cost. All exchanges will incur a return delivery fee.

We reserve the right as final authority on whether the products should be refunded or replaced and make no other warranty and no implied warranty of merchantability or fitness for a particular purpose. Our maximum liability hereunder is limited to the purchase price of the product.

---

---

we be liable for any consequential, indirect, incidental or special damages of any nature arising from the sale of the product.

ese terms and with to return an item, please send us a message stating your name, order number, the item(s) you wish to return. Our Customer Service team will respond to your email and, if applicable, written authorisation for the return will be given. All items returned must also be given to you at this time. We will not accept the return of any item(s) without our prior authorisation.

---

### Contact Us

any questions or enquiries, please do not hesitate to send us a message through our contact page.

---

### Feedback

ive to maintain an excellent customer service so if you have any issues or inquiries about your purchase, please feel free to contact us. We will do our best to help and we would be happy to help. Please do not leave negative feedback before contacting us.

Feedback left without any contact will be regarded as an indication of the conclusion of the transaction.

**By clicking "Buy" or "Add to Cart" or buying, you have agreed to all the conditions mentioned above.**

---

Powered by Use.com®



Powered by [Selling Manager Pro](#)