

Three Phase Motor 415V 0.18kW 0.25HP 1400rpm Variable Speed Variator Controller

Three Phase Motor Variable Speed Variator Controller



Three Phase Motor 415V 0.18kW 0.25HP 1400rpm Variable Speed Variator Controller

Specifications:

- Power: 0.18Kw (0.25HP)
- Voltage: 240/415V Three Phase 50Hz
- Amperage/Current: Approx. 0.55A
 - Frame Size: 63
- Speed range: 200-1000rpm
 - Shaft size: 11mm

Features:

- IEC Standard
- IP55 Protection Rating
- Epoxy Painted - Silver Colour
- Capacitor start/Capacitor Run
- Cast Aluminium construction with top mounted terminal box
 - Class F insulation

- High Efficiency
- Totally Enclosed Fan Cooled
- High quality bearings, grease packed for life
 - Low noise and vibration

Suitable Applications:

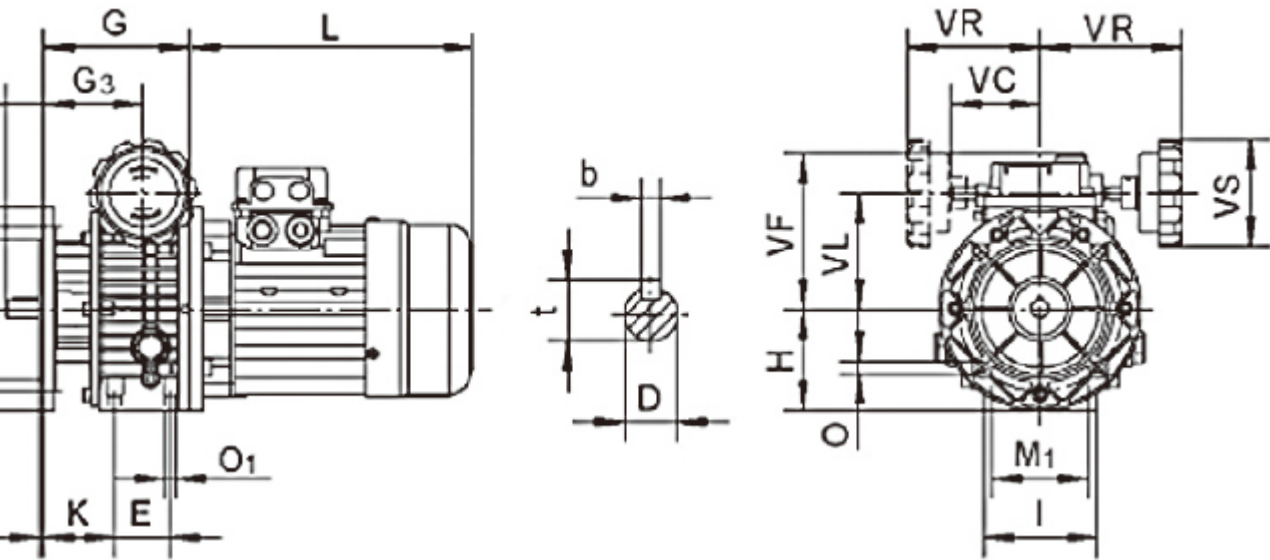
- Hoists / Winches
 - Compressors
 - Conveyor Drives
 - Pump Drives
 - Automation Devices
- Food / Pharmacy Packaging
 - Pulley drives
 - Fans
 - Food Processing

Optional Accessories (Available on request):

- IEC Flange/Foot Mounting
 - Slide Rails
- Industrial Gearboxes
 - Couplings
 - Pulleys
 - Chain Drives

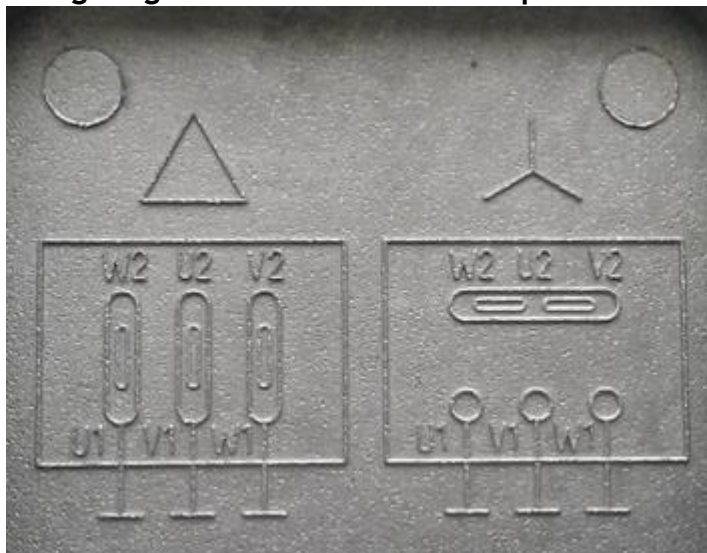
Dimensions:





B	H	D	G	G3	I	M	O	O1	P	T	VF	VL	VR	b	t	L
3	70	11	113	64.5	72	115	9	M6	140	3.5	111	78	110	4	12.5	207
0	80	14	110	74	90	130	9	M8	160	3.5	123	90	110	5	16	225
0	100	19	139	85.5	98	165	11	M8	200	3.5	140	107	120	6	21.5	255
0	126	24	188	115	241	165	11	-	200	3.5	144	122	150	8	27	285
0	126	24	188	115	241	165	11	-	200	3.5	144	122	150	8	27	310
0	150	28	208	131	270	215	15	-	250	4	188	150	160	8	31	320
0	150	28	208	131	270	215	15	-	250	4	188	150	160	8	31	340
0	200	38	244	131	-	265	19	-	300	5	-	192	194	10	41	382
0	200	38	244	131	-	265	19	-	300	5	-	192	194	10	41	420

Wiring (Wiring Diagram is located on the cap of the control box):



we have both Single and Three Phase electric motors between 0.18Kw to 315Kw in 2, 4, 6 and 8 pole.

please contact us to send your order to. Please make sure you have a residential address in your details for us to send your order to.

Local Pick up from our Sydney, Prestons Warehouse available.

g from a professional Business with many years experience in this market. DO NOT compare this product cheaper prices or even same prices. This is a very high quality motor. Limited Time Offer. QUALITY at the right PRICE. This crazy price will not last long.

Payments Methods Accepted



Listing Details

making a purchase from any of our eBay listings you are entering into a contract governed by our terms & conditions below. Please ensure you have read these before making your purchase.

are for demonstration purposes only. Product will match description but may vary from images shown. For any concerns about how a product looks please contact us before ordering.

ription/price/stock levels is accurate to our knowledge. All errors or omissions are unintentional. If problems are encountered, please contact us.

Payment

is required within 5 days of sale. Payment can be made by Cash on pick-up (from our Warehouse), Paypal, and (over the phone) or bank deposit. Items will not be shipped out unless payment has been made in full.

Shipping/Delivery/Pick up

to our shipping tab at the top of our listing for all freight costs and delivery times. Your order will be sent to our delivery partners which include Toll, TNT, Couriers Please, E-Go, Go Logistics and Australia Post. The carrier to deliver your order will be automatically selected by our freighting system. We assume no liability for postal delays or lost/damaged parcels, but we will assist the buyer to locate or to obtain a replacement.

Provide a valid street address for all deliveries. We do NOT deliver to PO Boxes, Parcel Lockers or Post Office. We also require a daytime phone number for all orders. Our operation hours for dispatch are Monday to Friday 9am to 2:30pm. In the unlikely case that you do not receive your order, please contact us to resolve this.

Local Pickup from our Sydney, Prestons Warehouse available.

Warranty

Warranty periods are as follows:

- All remotes and receivers have 3 months warranty
- Garage door and gate motors have 12 months warranty
- All other products have 6 months warranty

If you have a problem with the product, please contact us through eBay and include the original purchase information (i.e. your name, address, email and purchase receipt number)

The warranty does not include damage caused by normal wear and tear, accidents, misuse, lack of maintenance, neglect, or other external causes; to damage caused by operating the equipment in a manner outside that described in the instructions. The warranty is considered void if the item has been modified, altered or tampered with by a person(s) not authorised by us to provide service (with the exception of standard periodic maintenance). Consumables and accessories such as chains, carry bags, batteries, hoses, grinding discs, belts, cables, wheels, blades, tubs, pads, nets etc. are also not covered once used or for damage caused by general wear and tear.

Once the nature of any fault is determined, the resolution we can offer may vary. To assist with a quick resolution, photos of the affected part/unit will be required for verification. We will repair or replace, at our discretion, any unit determined to be faulty within the warranty period. Where necessary, the item may need to be returned to repair the fault/issue.

The buyer will be liable for all shipping costs associated with any warranty claim.

Returns for warranty must first be authorised in writing by our Customer Service Team and given a Return Authorisation Number (RAN). We will not accept the return of any item/s without a Return Authorisation Number (RAN).

Once a return is authorised, it is the buyer's responsibility to ensure the product is packaged securely to prevent any damage during the return process. Failure to do so may affect the resolution to be offered, which may include repairs, replacement items or store credit at our discretion.

For warranty claims, the outcome of the inspection should take no longer than 10 business days from the date the item is received by our service department (times may vary).

Returns will not be accepted in cases where the buyer has contributed to the failure, or been misleading in their description of their issues. In these instances, where freight costs were incurred by us to return your item for inspection, the buyer may be required to pay for the return to us prior to releasing the goods. The item is also to be returned to the buyer at the buyer's expense. Freight cost not to exceed original freight cost. Payment is to be made to us within 7 days of being notified of the return. Storage fees to apply beyond 7 days at 5% per week of the original product cost until the credit expires. If payment is not made, the item is owed to us for repairs and/or postage, we will be entitled to hold onto the item until payment is made.

Returns/Exchanges

Returns/exchanges must be made within 7 days of the delivery date. After 7 days, any claims of delivery errors or requests for returns or exchanges will not be accepted.

Items may be returned/exchanged provided that the item(s) are returned in an unused, clean, sellable condition with original packaging, subject to our discretion.

as sustained damage in transit, or is not returned as noted above, a revised refund amount may be required.

All returns will be refunded less the delivery cost. All exchanges will incur a return delivery fee.

We reserve the right as final authority on whether the products should be refunded or replaced and make no other warranty or implied warranties, including any warranty of merchantability or fitness for a particular purpose. Our maximum liability under is limited to the purchase price of the products. In no event shall we be liable for any consequential, indirect, incidental or special damages of any nature arising from the sale of the product.

To exercise these terms and with to return an item, please send us a message stating your name, order number, the item(s) to be returned, and the reason for the return. Our Customer Service team will respond to your email and, if applicable, the authorisation for the return will be given. All other relevant information will also be given to you at this time. We will not accept the return of any item(s) without our prior authorisation.

Contact Us

If you have any questions or enquiries, please send us a message through eBay.

Feedback

We strive to maintain an excellent customer service so if you have any issues or inquiries about your purchase, please feel free to contact us before leaving feedback and we would be happy to help. Please do not leave negative feedback before contacting us.

Any negative feedback left without any contact will be regarded as an indication of the conclusion of the transaction.

By placing a bid or buying, you have agreed to all the conditions mentioned above.