



Explosion Flame Proof 3 Phase 5.5kW 7.5HP 8 Pole Electric Motor IMB5 Exd Ex d

**Approved to: Zone 1, Groups IIB or IIC, T4 Class Temperature, Ex D Area**

**Please note: This item requires a minimum of 5 business days for handling. Additionally, kindly note that all the photos provided are for illustrative purposes only.**

Explosion Proof Three 3 Phase Electric 5.5kW 7.5HP 8 Pole B5 Electric Motor

**Specifications:**

- Power: 5.5Kw (7.5HP)
- Voltage: 415V Three Phase 50Hz
- Speed: 8 Pole
- Shaft size: 42mm
- Duty: S1 continuous

| kW  | Frame | Shaft (mm) | Speed RPM | Full Load Current (A) | Locked Rotor Current Ist/IN | Efficiency % | Power Factor | Full Load (Nm) | Locked Rotor Tst/TN | Break Down Tmax/ TN | 400V                  | 380V                  | Moment of inertia J=1/2GD <sup>2</sup> (kg m <sup>2</sup> ) | Weight of foot mount motor (Kgs) | Noise Level             | Vibration    |
|-----|-------|------------|-----------|-----------------------|-----------------------------|--------------|--------------|----------------|---------------------|---------------------|-----------------------|-----------------------|---|----------------------------------|-------------------------|--------------|
|     |       |            |           |                       |                             |              |              |                |                     |                     | Full Load Current (A) | Full Load Current (A) |   |                                  | No Load @ 1 Metre dB(A) | No Load mm/s |
| 2.2 | 132S  | 38         | 710       | 5.46                  | 6                           | 79           | 0.71         | 29.6           | 1.8                 | 2                   | 5.66                  | 5.96                  | 0.0307  | 83                               | 65                      | 1.3          |
| 3   | 132M  | 38         | 710       | 7.15                  | 6                           | 80           | 0.73         | 40.4           | 1.8                 | 2.3                 | 7.41                  | 7.81                  | 0.0426  | 94                               | 69                      | 1.3          |
| 4   | 160MA | 42         | 720       | 9.31                  | 6                           | 81.9         | 0.73         | 53.1           | 1.9                 | 2.5                 | 9.66                  | 10.2                  | 0.0635  | 132                              | 70                      | 1.3          |
| 5.5 | 160MB | 42         | 720       | 12.3                  | 6                           | 83.8         | 0.74         | 73             | 1.9                 | 2.3                 | 12.8                  | 13.5                  | 0.0897  | 144                              | 70                      | 1.3          |
| 7.5 | 160L  | 42         | 720       | 16.3                  | 6                           | 85.3         | 0.75         | 99.5           | 1.9                 | 2.3                 | 16.9                  | 17.8                  | 0.127   | 166                              | 71                      | 1.8          |
| 11  | 180L  | 48         | 720       | 23.9                  | 6.5                         | 86.9         | 0.75         | 145.9          | 2                   | 2.2                 | 24.8                  | 25.6                  | 0.2138  | 223                              | 72                      | 1.8          |

### Features:

- IEC Standard
- Ex Standard
- IP66 Protection Rating
- Cast iron construction with top mounted terminal box, high resistance to impact
- Class F insulation
- High Efficiency
- High quality bearings, grease packed for life
- Low noise and vibration

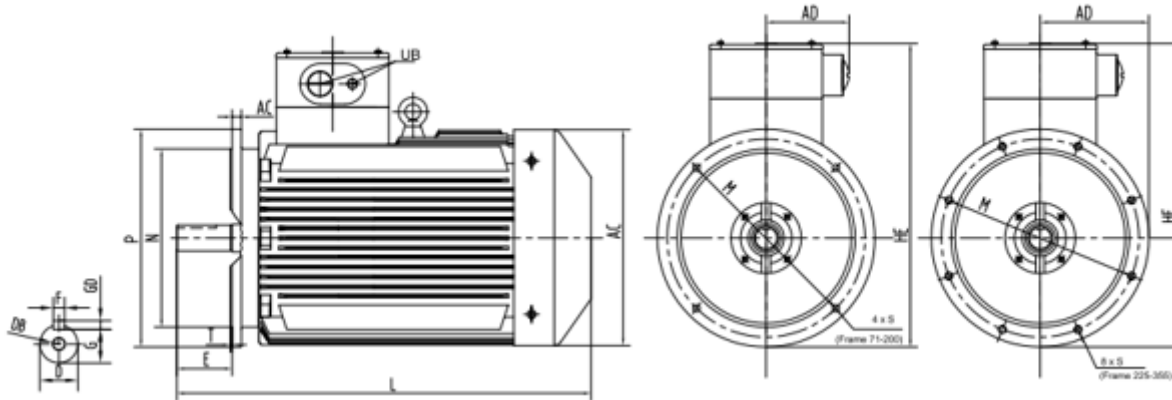
### Suitable Applications:

- Hoists / Winches
- Compressors
- Conveyor Drives
- Pump Drives
- Automation Devices
- Food / Pharmacy Packaging
- Pulley drives
- Fans
- Food Processing
- Oil & Gas Applications
- Offshore & Marine Applications
- Chemical Applications
- Pharmaceutical Applications
- Gas Compressors
- Flameproof pumps

### Optional Accessories (Available on request):

- IEC Flange/Foot Mounting
- Slide Rails
- Industrial Gearboxes
- Couplings
- Pulleys
- Chain Drives

### Dimensions:



| FRAME | D  | DB  | E   | F  | G    | GD | M   | N   | P   | S       | T   | AC  | AD  | HE  | LA | L   | UB          |
|-------|----|-----|-----|----|------|----|-----|-----|-----|---------|-----|-----|-----|-----|----|-----|-------------|
| 80    | 19 | M6  | 40  | 6  | 15.5 | 6  | 165 | 130 | 200 | 4xØ12   | 3.5 | 170 | 100 | 340 | 12 | 330 | 1xM25 1xM20 |
| 90S   | 24 | M8  | 50  | 8  | 20   | 7  | 165 | 130 | 200 | 4xØ12   | 3.5 | 185 | 100 | 355 | 14 | 370 | 1xM25 1xM20 |
| 90L   | 24 | M8  | 50  | 8  | 20   | 7  | 165 | 130 | 200 | 4xØ12   | 3.5 | 185 | 100 | 355 | 14 | 395 | 1xM25 1xM20 |
| 100L  | 28 | M10 | 60  | 8  | 24   | 7  | 215 | 180 | 250 | 4xØ14.5 | 4   | 210 | 100 | 400 | 14 | 448 | 1xM25 1xM20 |
| 112M  | 28 | M10 | 60  | 8  | 24   | 7  | 215 | 180 | 250 | 4xØ14.5 | 4   | 225 | 125 | 420 | 14 | 500 | 1xM25 1xM20 |
| 132S  | 38 | M12 | 80  | 10 | 33   | 8  | 265 | 230 | 300 | 4xØ14.5 | 4   | 265 | 125 | 490 | 14 | 550 | 1xM40 1xM20 |
| 132M  | 38 | M12 | 80  | 10 | 33   | 8  | 265 | 230 | 300 | 4xØ14.5 | 4   | 265 | 125 | 490 | 14 | 600 | 1xM40 1xM20 |
| 160M  | 42 | M16 | 110 | 12 | 37   | 8  | 300 | 250 | 350 | 4xØ18.5 | 5   | 320 | 125 | 520 | 15 | 720 | 1xM40 1xM20 |
| 160L  | 42 | M16 | 110 | 12 | 37   | 8  | 300 | 250 | 350 | 4xØ18.5 | 5   | 320 | 125 | 520 | 15 | 750 | 1xM40 1xM20 |

Wiring (Wiring Diagram is located on the cap of the control box):

We also have both Single and Three Phase electric motors (non-explosion proof) between 0.18Kw to 315Kw in 2, 4, 6 and 8 pole.

We do not deliver to PO Boxes. Please make sure you have a residential address in your details for us to send your order to.

[Local Pick up from our Sydney, Prestons Warehouse available.](#)

You are buying from a professional Business with many years experience in this market. **DO NOT** compare this product with other cheaper prices or even same prices. This is a very high quality motor. Limited Time Offer. **QUALITY** at the right **PRICE**. This crazy price will not last long.

**BUY NOW**

**Payments Methods Accepted**

#### Listing Details

When making a purchase from any of our eBay listings you are entering into a contract governed by our terms & conditions below. Please ensure you have read these before making your purchase.

Images shown are for demonstration purposes only. Product will match description but may vary from images shown. For any concerns about how a product looks please contact us before ordering.

The item description/price/stock levels is accurate to our knowledge. All errors or omissions are unintentional. If problems are encountered, please contact us.

### **Payment**

Full payment is required within 5 days of sale. Payment can be made by Cash on pick-up (from our Warehouse), Paypal, credit card (over the phone) or bank deposit. Items will not be shipped out unless payment has been made in full.

### **Shipping/Delivery/Pick up**

Please refer to our shipping tab at the top of our listing for all freight costs and delivery times. Your order will be sent through one of our delivery partners which include Toll, TNT, Couriers Please, E-Go, Go Logistics and Australia Post. The service used to deliver your order will be automatically selected by our freighting system. We assume no liability for postal delays or lost/damaged parcels, but we will assist the buyer to locate or to obtain a replacement.

We require a valid street address for all deliveries. We do NOT deliver to PO Boxes, Parcel Lockers or Post Office addresses. We also require a daytime phone number for all orders. Our operation hours for dispatch are Monday to Friday 9am to 2:30pm. In the unlikely case that you do not receive your order, please contact us to resolve this.

Local Pickup from our Sydney, Prestons Warehouse available.

### **Warranty**

Warranty periods are as follows:

- All remotes and receivers have 3 months warranty
- Garage door and gate motors have 12 months warranty
- All other products have 6 months warranty

If you have a problem with the product, please contact us through eBay and include the original purchase information (i.e. your name, address, email and purchase receipt number)

Warranty does not include damage caused by normal wear and tear, accidents, misuse, lack of maintenance, neglect, natural disaster, or other external causes; to damage caused by operating the equipment in a manner outside that described in the instructions. The warranty is considered void if the item has been modified, altered or tampered with by a person(s) not authorised by us to provide service (with the exception of standard periodic maintenance). Consumables and accessories such as chains, carry bags, batteries, hoses, grinding discs, belts, cables, wheels, blades, tubs, pads, nets etc. are also not covered once used or for damage caused by general wear and tear.

Until the nature of any fault is determined, the resolution we can offer may vary. To assist with a quick resolution, photos of the damaged part/unit will be required for verification. We will repair or replace, at our discretion, any unit determined to be within the warranty period. Where necessary, the item may need to be returned to repair the fault/issue.

The buyer will be liable for all shipping costs associated with any warranty claim.

All returns for warranty must first be authorised in writing by our Customer Service Team and given a Return Authorisation Number (RAN). We will not accept the return of any item/s without a Return Authorisation Number (RAN).

When a return is authorised, it is the buyer's responsibility to ensure the product is packaged securely to prevent any damage during the return process. Failure to do so may affect the resolution to be offered, which may include repairs, replacement items or store credit at our discretion.

For all warranty claims, the outcome of the inspection should take no longer than 10 business days from the date the item is received by our service department (times may vary).

Warranty claims will not be accepted in cases where the buyer has contributed to the failure, or been misleading in their description of their issues. In these instances, where freight costs were incurred by us to return your item for inspection, reimbursement to us may be required prior to releasing the goods. The item is also to be returned to the buyer at the buyer's expense. Freight cost not to exceed original freight cost. Payment is to be made to us within 7 days of being notified of warranty rejection. Storage fees to apply beyond 7 days at 5% per week of the original product cost until the credit expires. Where money is owed to us for repairs and/or postage, we will be entitled to hold onto the item until payment is made.

### **Returns/Exchanges**

Returns or exchanges must be made within 7 days of the delivery date. After 7 days, any claims of delivery errors or requests for returns or exchanges will not be accepted.

Products may be returned/exchanged provided that the item(s) are returned in an unused, clean, sellable condition with original packaging, subject to our discretion.

If the item has sustained damage in transit, or is not returned as noted above, a revised refund amount may be required.

All returns will be refunded less the delivery cost. All exchanges will incur a return delivery fee.

We reserve the right as final authority on whether the products should be refunded or replaced and make no other warranty and no implied warranties, including any warranty of merchantability or fitness for a particular purpose. Our maximum liability hereunder is limited to the purchase price of the products. In no event shall we be liable for any consequential, indirect, incidental or special damages of any nature arising from the sale of the product.

If you accept these terms and wish to return an item, please send us a message stating your name, order number, the item(s) you wish to return, and the reason for the return. Our Customer Service team will respond to your email and, if applicable, written authorisation for the return will be given. All other relevant information will also be given to you at this time. We will not accept the return of any item(s) without our prior authorisation.

### **Contact Us**

If you have any questions or enquiries, please do not hesitate to send us a message through eBay.

### **Feedback**

At MTM we strive to maintain an excellent customer service so if you have any issues or inquiries about your purchase, please feel free to contact us before leaving feedback and we would be happy to help. Please do not leave negative feedback before contacting us.

Any negative feedback left without any contact will be regarded as an indication of the conclusion of the transaction.

**By placing a bid or buying, you have agreed to all the conditions mentioned above.**